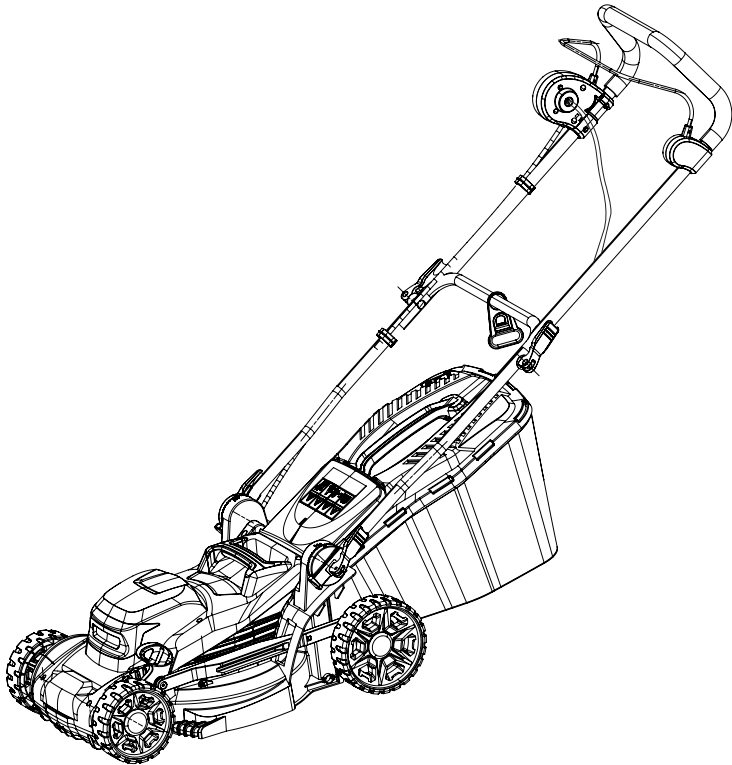


GB

## ELECTRIC LAWN MOWER

### Original Instructions

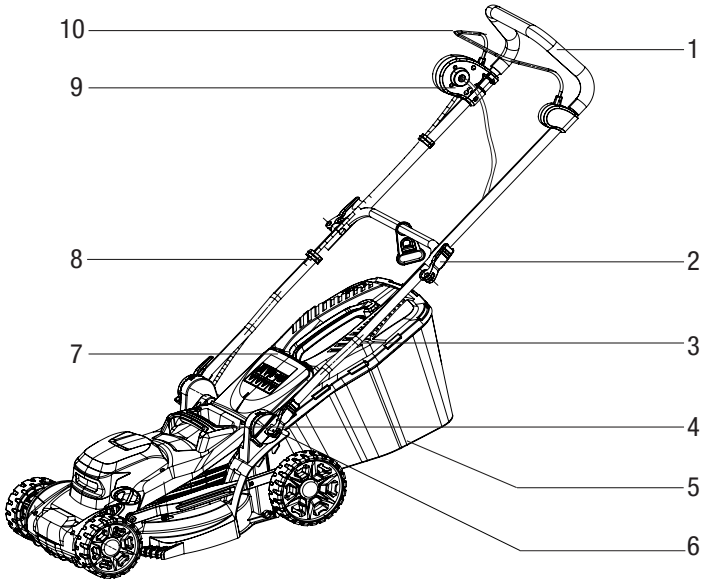
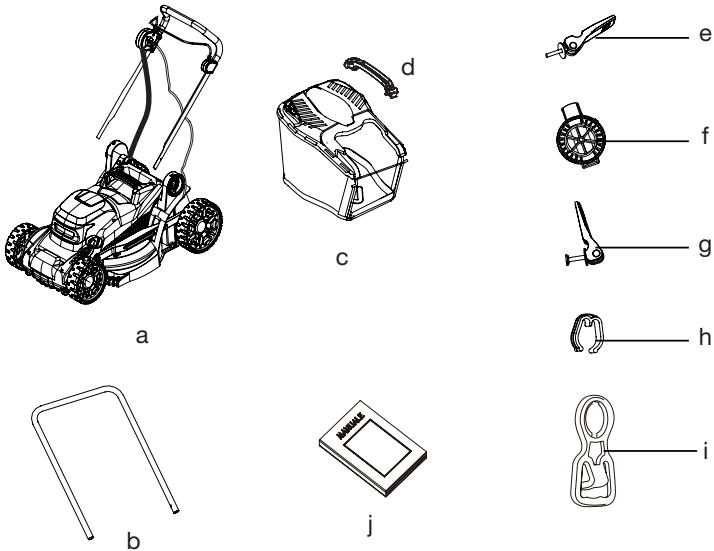


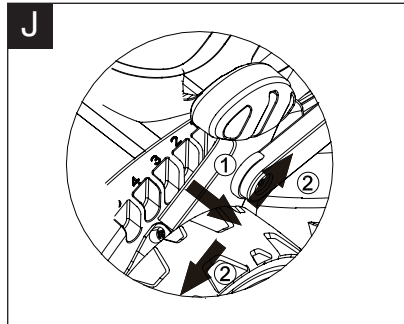
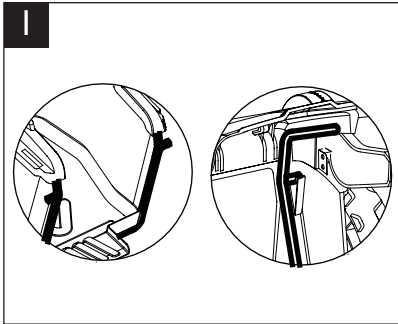
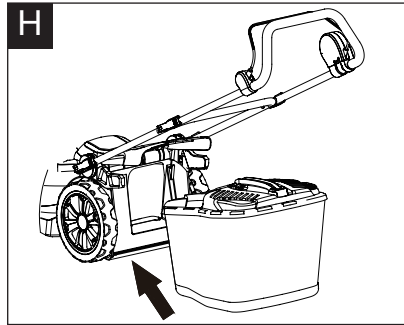
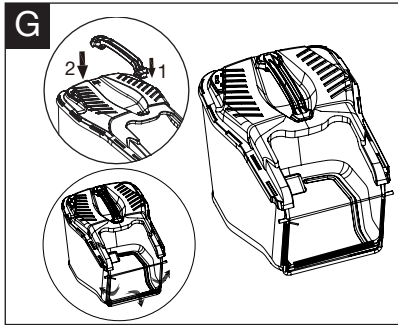
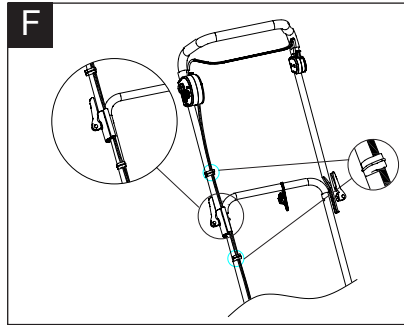
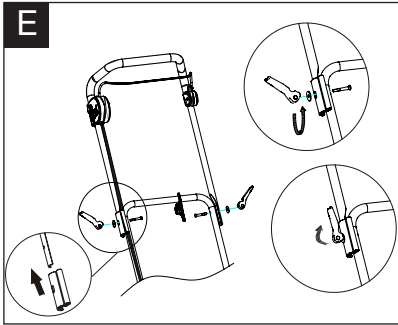
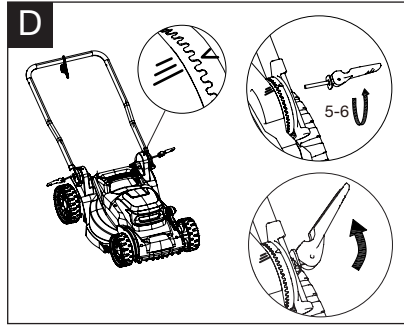
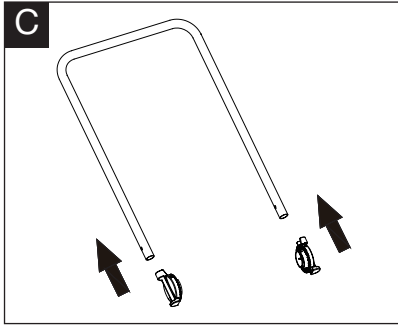
**READ & UNDERSTAND  
INSTRUCTION MANUAL**

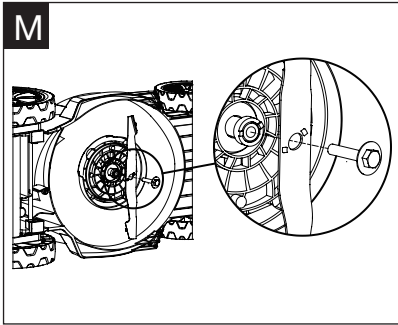
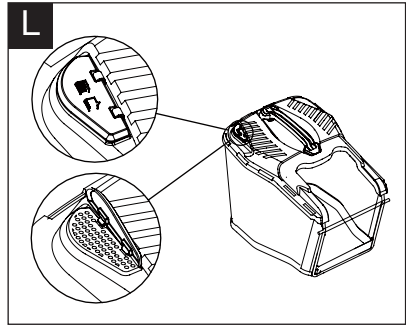
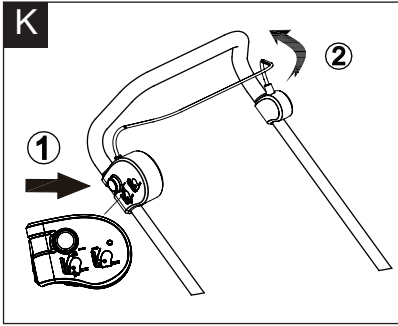


**Save all warnings and instructions for future reference.**



**A****B**





# YARD FORCE

## EW N34B Original Instruction

### CONTENT

Intended use	06
General safety warnings	06
Symbols	11
Technical data	14
Description of product	15
Installation	16
Operation	17
Maintenance and storage	19
Troubleshooting	21
Declaration of conformity	22
Disposal	24

## INTENDED USE

The device is exclusively designed for mowing private lawns. The lawn must be dry and level. Wildflower meadows, uncultivated meadows and strongly overgrown lawns with high weeds (such as thistles) are not considered lawns.

This device is intended for private use only and is not suitable for commercial use. Use the device only as described in this operating manual. Any other use is improper and may lead to product damage or even personal injury. This device is not a toy.

The manufacturer or retailer assume no liability for damage caused by improper or incorrect use.

## GENERAL SAFETY WARNINGS

This operating manual is part of the electric lawn mower (hereinafter also called "device"). It contains important information on how to set up and use the product.

Before using the device, read the operating manual carefully, in particular the safety instructions. Failure to follow this operating manual may lead to severe injuries or product damage.

This user manual is based on the standards and regulations that are valid within the European Union. Outside the EU, please also note the country-specific directives and laws.

Keep this operating manual for future reference. If you pass this device on to a third party, you must also supply this operating manual.

**IMPORTANT**  
**READ CAREFULLY BEFORE USE**  
**KEEP FOR FUTURE REFERENCE**

### Safety notes

#### Risk of electric shock!

Improper handling of the device, faulty electric installation or excessively high mains voltage may result in an electric shock.

- Only connect the device to a properly installed socket. The mains voltage must match the value indicated on the rating plate.
- In the case of a fault, immediately disconnect the device from the power cable and/or mains.
- Do not connect the device if the device, power cable or a mains plug shows visible signs of damage.
- Damaged power cords and devices must only be repaired by the manufacturer, their customer service or a qualified professional.
- Do not open the housing under any circumstances and never insert any object in the housing.
- Always disconnect the device from the mains before cleaning or servicing it.
- Never touch the mains plug with damp hands.
- Do not immerse the device, power cable or mains plug in water or other liquids.
- Do not bend the power cable and do not pass it over sharp edges.
- Never move the device over the power cable.

#### Notes on the power cable

- Use only authorised power cables of type H05VV-F or H05RNF.
- They must be approved for outdoor use.



## GENERAL SAFETY WARNINGS

- The length shall not exceed 50 m.
- The power cable wire cross section must be at least 1.5 mm .
- Always completely unroll cable drums before use.
- Check the cable for damage.

### **WARNING!**

**Danger for children and persons with impaired physical, sensory or mental capacities (e.g. partially disabled persons, older persons with reduced physical and mental capacities) or lack of experience and knowledge.**

Improper handling of the device can lead to severe injuries or damage to the device.

- This lawn mower may be used by persons with impaired physical, sensory or mental capacities or those lacking experience and knowledge if they are supervised or have been instructed in how to safely use the lawn mower and have understood the risks associated with operating it. Children must not play with the lawn mower. Cleaning and user maintenance must not be performed by children.
- Never allow children or other persons, who are not familiar with the user manual, to use the lawn mower. Local provisions can define the minimum age of the user.
- Do not leave the lawn mower unattended while in operation.

### **CAUTION!**

#### **Risk of injury!**

Improper handling of the device can cause injuries.

- The blade is sharp; take care when touching the blade.
- Do not reach underneath the device or into the discharge chute.
- Do not operate the device when other persons or animals are around.
- Do not operate the device if you are impaired (e.g. under the influence of drugs, alcohol, medication or if you are tired).
- Wear solid shoes, long trousers and hearing protection.
- Watch out for the power cable as you might trip over it and lose control of the device.
- Avoid working on wet grass as you might slip and lose control of the device.
- Do not work on areas with an inclination above 20 % as you might slip and lose control of the device.
- Always keep the discharge flap closed and keep away from the discharge chute when working without a collecting bag.
- Wait until the blade stands still before removing any blockage or clogging and carrying out any other work on the device.

### Safety symbols

The purpose of safety symbols is to attract your attention to any possible dangers. The safety symbols and their explanations deserve your careful attention and full understanding. The symbol warnings do not, by themselves, eliminate any danger. The instructions and warnings they give are no substitute for proper accident prevention measures.



**WARNING:** Be sure to read and understand all safety instructions within this operator's manual, including all safety alert symbols such as "**DANGER**", "**WARNING**", and "**CAUTION**" before using this tool. Failure to follow all instructions listed below may result in electric shock, fire and/or serious personal injury.

**SAFETY ALERT SYMBOLS:** Indicate **DANGER**, **WARNING**, or **CAUTION**. May be used in conjunction with other symbols or pictographs.

### Symbol meanings

This page depicts and describes safety symbols that may appear on this product. Read, fully understand and follow all instructions on the machine before attempting to assemble and operate.

## SYMBOLS



Declaration of conformity (see chapter “Declaration of conformity”): Products marked with this symbol meet all the applicable Community regulations of the European Economic Area.



This symbol indicates that the device complies with the protection class II.



General warning sign.  
Read the operating manual.



Caution! Discharge of cuttings or stones.  
Always keep the discharge flap closed.  
Keep other persons and animals out of the working range!



Warning! Rotating blade! Do not reach or step underneath the device.  
Disconnect the device from the mains before carrying out maintenance and cleaning work.

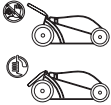


Warning! Electric voltage.  
Keep the power cable away from the rotating blade! Do not move the device over the power cable.

## SYMBOLS



The symbol shows the maximum sound power level  $L_{WA}$ .



Never use mower unless the grass catcher or guard provided is in position.



Do not expose the product to rain or wet conditions.

**IPX4** Degree of protection against ingress of water.



Conforms to relevant UK regulatory requirements.

## TECHNICAL DATA

Model		<b>EW N34B</b>
Rated voltage/frequency		230–240 V~/50 Hz
Rated power		1400 W
Protection class		II
IP rating		IPX4
Max. rpm		3500 min <sup>-1</sup>
Cutting width		340 mm
Cutting height		20-70 mm, 6 positions
Capacity of grass bag		30 l
Weight		10.8 kg
Measured sound power level ( $L_{WA}$ )		93.2 dB(A), K=2.8 dB(A)
Guaranteed sound power level		96 dB(A)
Vibrations		1.35 m/s (K = 1.5 m/s <sup>2</sup> )
Power cord and Fuse for BS plug		H05VV-F 2x1.0mm <sup>2</sup> , 13A

The vibration emission values during actual use of the device may deviate from the declared values. This is independent of the way the device is used.

Users must take all safety precautions to protect themselves. They must consider all influences of the actual application conditions (especially all parts of the work cycle such as running times, idling times and times at which the machine is shut off). The vibration values may deviate from the stated total output depending on the actual use of the device.

Suitable measures include regular maintenance and servicing of the device, keeping your hands warm, taking regular breaks and properly planning the work sequences!

## DESCRIPTION OF PRODUCT

### Parts description (Fig. A)

1. Top handle
2. Quick release clamp (fixed in screw) x 2
3. Lower handle
4. Transportation handle
5. Grass bag
6. Quick release clamp (curved head) x2
7. Rear safety flap
8. Cable clip x2
9. Switch box
10. Switch lever

### Check the delivery parts (Fig. B)

Remove the machine from its packaging carefully and make sure that all of the following parts are present:

- a. Lawnmower with upper handle
- b. Lower handle
- c. Grass bag
- d. Handle of grass bag
- e. Quick release clamp (fixed in screw) x 2
- f. Teeth clamp x 2
- g. Quick release clamp (curved head) x2
- h. Cable clip x2
- i. Pull relief (for the power cable)
- j. Instruction



**WARNING:** If any parts are damaged or missing, do not operate this tool until these parts have been replaced. Failure to heed this warning could result in serious personal injury.



**NOTE:** Always recycle the packaging in accordance with local recycling guidelines.

## INSTALLATION

### Assemble the lower handle (Fig. C)

Attach the two tooth clamps to the lower handle.

### Attach the lower handle to the lawnmower (Fig. D)

Install the lower handle to the lawnmower with the quick release clamps (with fixed in screw). Make sure that the teeth of fixing gears interlock correctly.

### Attach the top handle to the lawnmower (Fig. E)

Mount the top handle to the lower handle by using two quick release clamps (screw with curved head)



**NOTE:** Ensure the assembly holes for the upper handle, the lower handle and the rubber sleeve are in straight line, then to assemble the quick release clamps.

### Fitting the cable clip (Fig. F)

Ensure that the cable clips supplied are used to fix the cable to the lower handle

### Attach the grass bag (Fig. G & Fig. H & Fig. I)

1. Firstly Insert the grass bag handle into the groove of the grass bag. **(Fig. G)**
2. Secondly Press the grass bag handle into the clip of the grass bag, and hear "click" to indicate that the handle is in place.
3. Attach the grass bag to the frame by fixing the plastic P Clip hooks onto the sides and bottom of the metal frame.

Lift the safety flap with one hand and hook in the grass bag. Release the safety flap to secure the grass bag in position. **(Fig. H&I)**



## OPERATION

### Setting cutting height (Fig. J)

Step 1: Pull the gear lever outward.

Step 2: Move the gear lever up or down, select the appropriate cutting height, then click the gear lever into the gear position.



**NOTE:** When mowing high grass, start with the maximum cutting height and make a second cut with a lower cutting height.



**NOTE:** When using, make sure the gear lever is clicked into the gear position.

### Switching ON/OFF (Fig. K)

1. Ensure the start lever is released.
2. Press the switchbox lock-off button and hold it in position.
3. Pull the start lever towards the handle to switch the product ON. Hold the start lever in position during operation.
4. Release the lock-off button once the product is running.
5. Release the start lever to switch the product OFF.



**NOTE!** The product can only be started by pressing the lock-off button first followed by pulling the start lever towards the handle.  
Reverse operation will not start the product.



**NOTE!** The cutting blade will continue to rotate for a short period after the product has been switched off.

### Grass bag

As soon as the grass bag indicator closes while you are mowing this means that it is time to empty the grass bag.



**NOTE:** Before taking off the grass bag, switch off the machine and wait until the blade has come to a complete stop.  
To take off the grass bag, use one hand to lift up safety flap and the other to grab onto the carry handle. The safety flap automatically falls down after removing the grass bag and closes off the rear chute opening.  
Empty out the grass bag then refit to machine.



**NOTE:** If any grass clippings is left in the discharge chute, clean it using a brush. Do not remove grass debris in the mower deck or on the blade by hand or with your feet. Instead use suitable tools such as a brush or broom. To ensure that the cut grass can be collected into grass bag, the discharge opening and inside the mower deck must be cleared of any blockages.

## OPERATION

### Mowing

1. Never cut off more than one-third of the total length of the grass for a healthy lawn. In the autumn, lawns should only be cut as long as there is growth.
2. Slowly push the product forward.
3. Mow in slightly overlapping rows. The most effective pattern for mowing lawns is straight lines along one of the sides. This will keep the rows even and ensures that all the lawn is cut without missing any spots.
4. Circle around flower beds. When reaching a flower bed in the middle of the lawn, cut a width or two around the circumference of the bed.
5. Pay special attention when changing direction.



**WARNING:** If the product strikes a foreign object stop the motor immediately. Switch the product off, disconnect it from the power supply and let it cool down. Inspect the product thoroughly for damage. Have any damage repaired by a suitably qualified person before restarting.



**NOTE:** Note the following when mowing and mulching  
The following instructions help you use the device effectively and safely. Improper handling of the device can cause damage to it.  
Extensive vibration of the product during operation is an indication of damage. Stop the motor unplug and check for damage.

## MAINTENANCE AND STORAGE

### Cleaning



**WARNING:** Always remove the plug from the power supply before any cleaning.

Moisture in the device may cause a short circuit or electric shock.

- Before cleaning, disconnect the power cable from the socket.
- Make sure that no water or other liquid gets inside the housing.
- Never clean the device with running water (e.g. a garden hose).

**NOTE:** Improper cleaning can damage the device.

- Do not use any harsh cleaning products, brushes with metal or nylon bristles, or sharp or metallic cleaning materials such as knives, hard scrapers or similar. They may damage the surfaces.
- Remove wet cuttings immediately. Residues of wet cuttings on and in the device may harden and cause mould.

### Cleaning and inspection after each use

**NOTE:** Regular cleaning and inspection is necessary to keep the device in perfect state.

1. Stop the motor and wait until the blade stands still.
  2. Disconnect the device by unplugging the power cable and remove the power cable from the pull relief.
  3. Thoroughly empty the collecting bag (see "Emptying the collecting bag") without reattaching it to the device.
  4. Remove cuttings from the device and the collecting bag with a hand brush.
  5. Tip the device on its side and remove cuttings from the discharge chute and blade compartment with a hand brush.
  6. Check the blade for damaged spots and wear. Do not operate the device with a damaged or worn blade! If necessary, have the blade sharpened or exchanged in a specialist workshop (for the blade type, see "Technical specifications").
  7. Set the device upright again.
  8. Check all connections (handle, collecting bag) for tight fit.
- The device is ready for storage.

### Maintenance

Apart from the measures described in the section "Cleaning and inspection after each use", the device is principally maintenance-free. You do not have to lubricate or readjust any parts. In addition, check the following once a year:

- Free wheel movement.
- Function and free movement of the cutting height adjuster.
- Function and free movement of the discharge flap.

## MAINTENANCE AND STORAGE

- Damage to the device, such as broken housing parts or worn collecting bag.
- If you detect any defects, contact customer service or a specialist workshop. Do not operate the device with a detected defect.

### Storage

**NOTE:** Improper storage of the device can result in damage.

- Let the device dry before storing it. Residual moisture and cuttings remaining in the device can lead to mould formation.

Optionally, the handle can be folded in to save space during storage or transport.

### Transport instructions

- Only lift the device by the carry handle.
- Exclusively transport the device in normal position; prevent tilting while transporting.
- When transporting the device in vehicles, the device must be secured in accordance with the applicable regulations (load securing).

### Replacing the blades



**WARNING: Always wear heavy duty gloves when handling the blade as this can cause injuries.**

1. Loosen the bolt, turning anticlockwise using a suitable wrench and remove it together with the cutting device.
2. Replace the cutting blade with a new one of the same type.
3. Reattach the cutting blade onto the spindle, pay attention to its correct alignment. Ensure that you can see the symbol A on the blade. Tighten the bolt clockwise with 16Nm min., 20Nm max. to ensure the safe operation of your product.
4. Replace this cutting blade after 50 hours mowing or 2 years which ever is sooner regardless of condition. If the cutting blade is cracked or damaged, immediately replace it with a new one.
5. Lubricate the cutting blade after each use to prolong the life span of the cutting device and product. Apply light machine oil along the edge of the cutting blade.

## TROUBLESHOOTING

Fault/malfunction	Cause	Remedy
Motor does not start up	The mains plug is not correctly plugged in.	Check that the mains plug is fitted properly.
	The socket does not supply any power/the fuse has blown or the RCCB has tripped.	Check the power cable for damage, also check the plug fuse.
	The switchbox side button was not pushed and held down.	Let go of the safety bar and push the button on the switchbox before pulling the safety bar again.
	The motor overload protection has triggered, the motor is overheated.	Allow the device to cool down.
Unsteady run The device emits unusual noises Insufficient power	The selected cutting height is too low.	Set the cutting height 2 levels higher.
	Grass bag is full or the discharge chute is blocked.	Empty the grass bag and remove cuttings from the discharge chute.
	Blade is blocked by foreign object.	Check the lower deck volute for foreign objects and remove these if present.
	Blade is dull or damaged.	Check the blade and have it sharpened or replaced at a specialist workshop, if necessary.
Cuttings left on ground	Grass bag is full or the discharge chute is blocked.	Empty the grass bag and remove cuttings from the discharge chute.
	Grass is too wet.	Wait for the grass to dry.

# DECLARATION OF CONFORMITY

To the provisions of Council Directives

We

**MEROTEC GmbH**

**Otto-Brenner-Str. 8, 47877 Willich, Germany**

**Declare that the product:**

Machine Description: Electric lawnmower

EM N34B/ SLM34L-ZD

Function: Cutting grass

**Complies with the essential health and safety requirements of the following directives:**

Machinery Directive 2006/42/EC

Electromagnetic Compatibility Directive 2014/30/EU

EC Directive 2011/65/EU and its amendment Directive (EU) 2015/863 (RoHS)

Noise Emission in the Environment by Equipment for Use Outdoors Directive 2000/14/EC amended by 2005/88/EC

We additionally confirm the following in accordance with the 2000/14/EC amended by 2005/88/EC emissions guideline,

Measured Sound Power Level: 93.2 dB(A), K=2.8 dB(A)

Declared Guaranteed Sound Power Level: 96 dB (A)

**Standards and technical specification referred to :**

EN 60335-1:2012+A11+A13+A14+A2+A15

EN 60335-2-77:2010

EN 62233:2008

EN IEC 55014-1:2021

EN IEC 55014-2:2021

EN IEC 61000-3-2:2019+A1:2021

EN 61000-3-3:2013+A1:2019+A2:2021

Authorized Signatory

Date: 04.01.2024

Signature: \_\_\_\_\_

Place: Willich

Name: Roland Menken

General Manager

MEROTEC GmbH

Otto-Brenner-Str. 8

47877 Willich, Germany



# DECLARATION OF CONFORMITY

To the provisions of Council Directives

We

SUMEC UK

Unit A&B Escrick Business Park Escrick, York YO19 6 FD

United Kingdom

**Declare that the product:**

Machine Description: Electric lawnmower

EM N34B/ SLM34L-ZD

Function: Cutting grass

**Complies with the essential health and safety requirements of the following directives:**

Supply of Machinery (Safety) Regulations 2008

Electromagnetic Compatibility Regulations 2016

The Restriction of the Use of Certain Hazardous Substances in Electrical and Electronic Equipment Regulations 2012

Noise Emission in the Environment by Equipment for use Outdoors Regulations 2001 Measured Sound

Measured Sound Power Level: 93.2 dB(A), K=2.8 dB(A)

Declared Guaranteed Sound Power Level: 96 dB (A)

**Standards and technical specification referred to :**

EN 60335-1:2012+A11+A13+A14+A2+A15

EN 60335-2-77:2010

EN 62233:2008

EN IEC 55014-1:2021

EN IEC 55014-2:2021

EN IEC 61000-3-2:2019+A1:2021

Authorized Signatory

Date: 04.01.2024

Signature: \_\_\_\_\_

Place: York

Name: Mariana Hall

General Manager

SUMEC UK

Unit A&B Escrick Business Park Escrick York YO19 6 FD

United Kingdom

The UKCA logo consists of the letters 'UK' stacked above the letters 'CA' in a bold, black, sans-serif font.

## DISPOSAL

### Disposing of packaging

Dispose of packaging according to type. Sort the paperboard and cardboard as waste paper and the film as recyclable material.

### Disposing of the washer

Applicable in the European Union and other European countries with systems for separate collections of recyclable waste.



This symbol indicates that this product may not be disposed of together with domestic waste in compliance with the (2012/19/EU) Regulation pertaining to waste electrical and electronic devices (WEEE). This product must be handed in at a collection point intended for the purpose. This can occur, for example, by handing it in at an authorised collecting point for the recycling of waste electrical and electronic equipment. Owing to potentially hazardous substances that are frequently contained in waste electronic equipment, incorrect handling of waste equipment may have a negative impact on the environment and on the health of human beings. By disposing of this product correctly, you are also contributing towards an efficient use of natural resources. Information on collecting points for waste equipment can be obtained from your local authority, an authorised institution for the disposal of waste electrical and electronic equipment or the waste collection services.