



YARD FORCE®

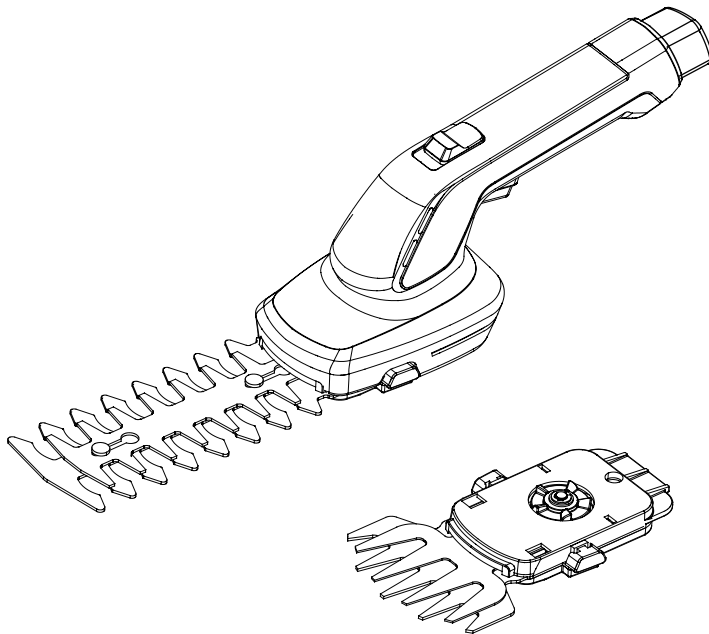
FOR LIFE ON THE GO

LT V12

GB

CORDLESS GRASS SHEAR

Original Instructions



**READ & UNDERSTAND
INSTRUCTION MANUAL**

Save all warnings and instructions for future reference.

YARD FORCE

LT V12 Original Instruction

CONTENT

Intended use	04
General safety warnings	04
Product safety warnings	10
Symbols	13
Technical data	16
Description of product	17
Installation	18
Operation	19
Maintenance and storage	21
Troubleshooting	22
Declaration of conformity	23



INTENDED USE

This cordless grass shear is designed for the cutting and trimming of grass, hedges, bushes and ornamental shrubs in the domestic environment.

For safety reasons it is essential to read this entire instruction manual before initial operation and to observe all the instructions inside.

This product is intended for private domestic use only, not for commercial trade use. It must not be used for any purposes other than those described.

GENERAL SAFETY WARNINGS

WARNING: Read all safety directions and instructions. Omissions in the compliance with safety directions and instructions can cause electrical shock, fire and/or severe injuries.

Retain all safety directions and instructions for future use. The term “Power Tools” used in the safety instructions refers to mains-operated power tools (with power cord) and to battery operated power tools (without power cord).

Work area safety

1. Keep work area clean and well lit. Cluttered or dark areas increase the chances of accidents.
2. Do not operate power tools in explosive atmospheres, in the presence of flammable liquids, gases or dust. Power tools create sparks which may ignite the dust or fumes.
3. Keep children and bystanders away while operating a power tool. Distractions can cause momentary loss of control.

GENERAL SAFETY WARNINGS

Electrical safety

1. Power tool plugs must match the outlet. Never modify the plug in any way. Do not use any adapter plugs with earthed (grounded) power tools. Unmodified plugs and matching outlets will reduce risk of electric shock.
2. Avoid body contact with earthed or grounded surfaces, such as pipes, radiators, ranges and refrigerators. There is an increased risk of electric shock if your body is earthed or grounded.
3. Do not expose power tools to rain or wet conditions. Water entering a power tool will increase the risk of electric shock.
4. Do not abuse the cord. Never use the cord for carrying, pulling or unplugging the power tool. Keep cord away from heat, oil, sharp edges or moving parts. Damaged or entangled cords increase the risk of electric shock.
5. When operating a power tool outdoors, use an extension cord suitable for outdoor use. Use of a cord suitable for outdoor use reduces the risk of electric shock.
6. If operating a power tool in a damp location is unavoidable, use a residual current device (RCD) protected supply. Use of an RCD reduces the risk of electric shock.

GENERAL SAFETY WARNINGS

Personal safety

1. Stay alert, watch what you are doing and use common sense when operating a power tool. Do not use a power tool while you are tired or under the influence of drugs, alcohol or medication. A moment of inattention while operating power tools may result in serious personal injury.
2. Use personal protective equipment. Always wear eye protection. Protective equipment such as dust masks, nonskid safety shoes, hard hats, and hearing protection can reduce personal injury.
3. Prevent unintentional starting. Ensure the switch is in the off position before connecting to power source and/or battery pack, picking up or carrying the tool. Carrying power tools with your finger on the switch or energizing power tools that have the switch on invites accidents.
4. Remove any adjusting key or wrench before turning the power tool on. A wrench or a key left attached to a rotating part of the power tool may result in personal injury.
5. Do not overreach. Keep proper footing and balance at all times. This enables better control of the power tool in unexpected situations.
6. Dress properly. Do not wear loose clothing or jewellery. Keep your hair, clothing and gloves away from moving parts. Loose clothes, jewellery or long hair can be caught in moving parts.

GENERAL SAFETY WARNINGS

7. If devices are provided for the connection of dust extraction and collection facilities, ensure these are connected and properly used. The use of dust collection can reduce dust-related hazards.

Power tool use and care

1. Do not use excessive force while using the power tool. Use the correct power tool for your application. The correct power tool will do the job better and more safely at the rate for which it was designed.
2. Do not use the power tool if the switch does not turn it on and off. Any power tool that cannot be controlled with the switch is dangerous and must be repaired.
3. Disconnect the plug from the power source and/or the battery pack from the power tool before making any adjustments, changing accessories, or storing. Such preventive safety measures reduce the risk of starting the power tool accidentally.
4. Store idle power tools out of the reach of children and do not allow persons unfamiliar with the power tool or these instructions to operate. Power tools are dangerous in the hands of untrained users.
5. Maintain power tools. Check for misalignment or binding of moving parts, breakage of parts and any other condition that may affect its operation. If damaged, have the power tool repaired before use. Many accidents are caused due to poor maintenance.
6. Keep cutting tools sharp and clean. Properly maintained cutting tools with sharp cutting edges are

GENERAL SAFETY WARNINGS

less likely to bind and are easier to control.

7. Use the power tool, accessories and tool bits etc. in accordance with these instructions, taking into account the working conditions and the work to be performed. Use of the power tool for operations different from those intended could result in a hazardous situation.

Battery tool use and care

1. Recharge only with the charger specified by the manufacturer. A charger that is suitable for one type of battery pack may create a risk of fire when used with another battery pack.
2. Use power tools only with specifically designated battery packs. Use of any other battery packs may create a risk of injury and fire.
3. When battery pack is not in use, keep it away from other metal objects, like paper clips, coins, keys, nails, screws or other small metal objects, that can make a connection from one terminal to another. Shorting the battery terminals together may cause burns or a fire.
4. Under intensive use, liquid may be ejected from the battery; avoid contact. If contact accidentally occurs, flush with water. If liquid contacts eyes, additionally seek medical help. Liquid ejected from the battery may cause irritation or burns.

GENERAL SAFETY WARNINGS

Service

1. Have your power tool serviced by a qualified repair person using only identical replacement parts. This will ensure that the safety of the power tool is maintained.

Grass shear safety warnings:

1. Keep all parts of the body away from the cutter blade. Do not remove cut material or hold material to be cut when blades are moving. Make sure the switch is off when clearing jammed debris and material. A moment of inattention while operating the Grass shear may result in serious personal injury.
2. Carry the cordless grass shear by the handle with the cutter blade stopped. When transporting or storing the blade always fit the cutting device cover. Proper handling of the Grass shear will reduce possible personal injury from the cutter blades.
3. Keep cable away from cutting area. During operation the cable may be hidden in shrubs and can be accidentally cut by the blade.

PRODUCT SAFETY WARNINGS

Special Safety Directions for cordless grass shear

1. Keep all body parts away from the blade. Do not attempt to remove clippings while the blade is operating or to hold on to material which is to be cut. Only remove trapped clippings when the tool is switched off. One moment of carelessness when using the grass shear can lead to severe injury.
2. Carry the grass shear at the handle with an idle blade. Always pull on the protective cover during transport and storage of the Grass shear. Careful handling of the tool reduces the risk of injury from the blade.
3. Hold the power tool only on the insulated handle surfaces, as the cutting blade may come into contact with concealed power cables. Contact between the cutting blade and a live cable may render metallic components live and result in an electric shock.
4. Before the work, search the lawn or hedge for concealed objects, e.g. cable etc. To avoid damaging the equipment.
5. Wear suitable clothing and work clothes when working with the equipment. Do not hold the equipment by the cutting blade or lift it on the cutting blade. Contact with the cutting blade can cause injuries.

PRODUCT SAFETY WARNINGS

Further safety directions

1. Only switch on the tool when hands, feet and all other body parts are at a secure distance to the tool. Standing too close can increase risk of injury from cuts.
2. Take care not to injure your hands and feet with the cutting elements.
3. Remove the power supply unit before working with the equipment.
4. Do not use the hedge cutter in combination with the telescopic shaft.
5. The tool is designed to shape hedges and grass. Do not use the tool to cut branches, hard wood or other. This helps to avoid damaging the equipment, and also reduce injury to yourself from debris.
6. Do not attempt to dislodge a blocked/trapped blade before switching the tool off. Always make sure the tool is turned off, there is a high risk of injury when the tool is switched on.
7. Always switch off the tool and remove the battery (if applicable)
 - If you leave the tool unsupervised
 - Before removing jams
 - Before control- maintenance- or cleaning tasks
 - If you have come into contact with a foreign object
 - Whenever the machine starts to vibrate uncontrollably.

PRODUCT SAFETY WARNINGS

8. Never allow children, persons with reduced physical, sensory or mental capabilities or lack of experience and knowledge or people unfamiliar with these instructions to use the machine. Local regulations may restrict the age of the operator.
9. Never operate the machine with defective guards or shields, or without safety devices, or if the cord is damaged or worn.
10. Do not connect a damaged cord to the supply or touch a damaged cord before it is disconnected from the supply as damaged cords can lead to contact with live parts.

Special safety directions for battery-operated tools

1. Do not expose the battery to strong sunlight or a hot environment over a long period of time. Heat damages the battery and there is a risk of explosion.
2. Allow a hot battery to cool before charging.
3. Do not open up the battery. Risk of short circuiting, and fumes may be emitted that irritate the respiratory tract. In the case of inhaling, ensure you get fresh air quickly and seek medical assistance in the event of discomfort.

SYMBOLS

Safety symbols

The purpose of safety symbols is to attract your attention to possible dangers. The safety symbols and the explanations with them require your careful attention and full understanding. The symbol warnings do not, by themselves, eliminate any danger. The instructions and warnings they give are no substitutes for proper accident prevention measures.

WARNING: Be sure to read and understand all safety instructions in this operator's manual, including all safety alert symbols such as "**DANGER**," "**WARNING**," and "**CAUTION**" before using this tool. Failure to follow all instructions listed below may result in electric shock, fire and/or serious personal injury.

SAFETY ALERT SYMBOL: Indicates **DANGER**, **WARNING**, or **CAUTION**. May be used in conjunction with other symbols or pictographs.

Symbol meaning

This page depicts and describes safety symbols that may appear on this product. Read, understand and follow all instructions on the machine before attempting to assemble and operate.

SYMBOLS



Read the user manual before using the machine.



Warning! Danger!



Guaranteed sound power level value in 92 dB.



WEEE symbol. Electrical products should not be disposed of with household waste. Please recycle where facilities exist. Check with your Local Authority or local store for recycling advice.



Batteries contain Li-ion waste. Do not dispose of batteries as unsorted municipal waste with household waste. Check with your Local Authority or local store for recycling advice.



Do not expose the product to rain or wet conditions.



Keep hands away from blades.



A product placed on the United Kingdom market meets the UKCA Marking requirements



The product complies with the applicable European directives and an evaluation method of conformity for these directives was done.

SYMBOLS

Symbols on the battery pack



Do not dispose of a battery pack in water!



Do not set on fire to dispose!



Do not expose the battery pack to sunlight or increased temperatures!



WEEE symbol. Electrical products should not be disposed of with household waste. Please recycle where facilities exist. Check with your Local Authority or local store for recycling advice.



Batteries contain Li-ion waste. Do not dispose of batteries as unsorted municipal waste with household waste. Check with your Local Authority or local store for recycling advice.

TECHNICAL DATA

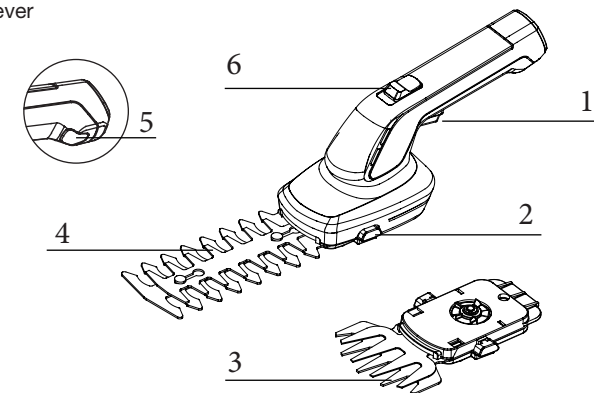
Type	LT V12
Degree of Protection	IP X1
Cutting length (shrub trimming blades)	120 mm
Cutting width (grass trimming blades)	80 mm
Net weight (without working blade)	1.06 kg
Measured sound power level(L _{WA})	87.01 dB(A), Shrub trimming blade 86.63 dB(A), Grass trimming blade
Guaranteed sound power level (L _{WA})	92 dB
Vibration	2.559 m/s ² Shrub trimming blade 1.909 m/s ² Grass trimming blade
Battery pack Type	AL V40
Battery capacity	4V = 4A, 14.4Wh
Input	max. 5V = 1A
Out put (USB type A)	5V = 1A

The declared vibration value has been measured in accordance with a standard test method and may be used for comparing one tool with another. The declared vibration value may also be used in a preliminary assessment of exposure.

DESCRIPTION OF PRODUCT

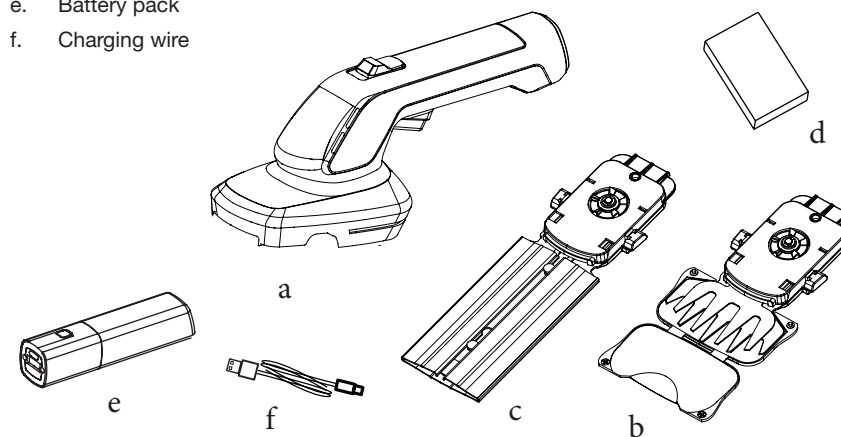
Parts description (Fig. A)

1. ON/OFF trigger
2. Working head release button
3. Grass trimming blade
4. Shrub trimming blade
5. Battery pack release lever
6. Safety button



Checking the box contents (Fig. B)

- a. Main grass shear body
- b. Grass trimming blade
- c. Shrub trimming blade
- d. Manual
- e. Battery pack
- f. Charging wire



INSTALLATION

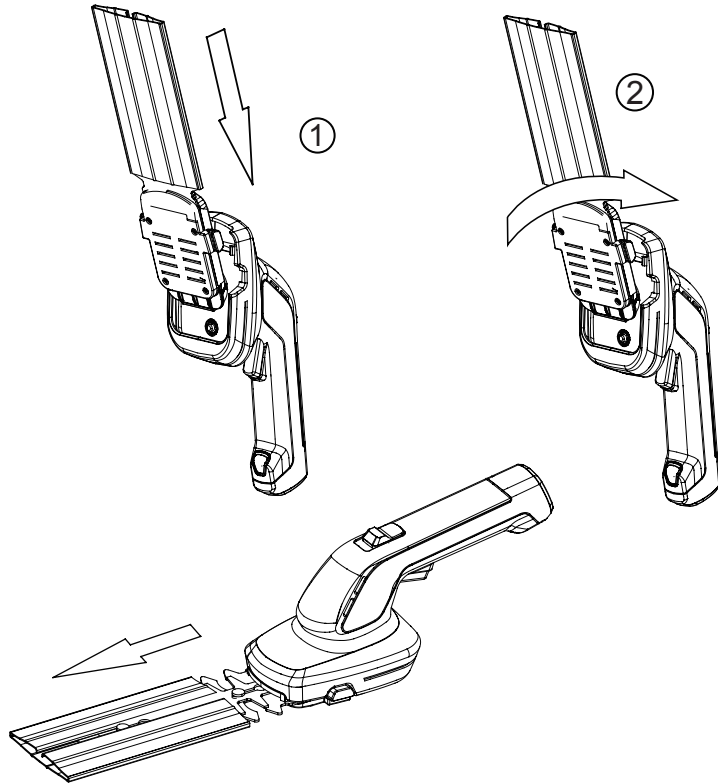


WARNING: Wear protective gloves before doing any operation.

NOTE: Make sure the battery pack is removed before any adjustments are made

Install the working head

- Select required working head (shrub trimming blades or grass trimming blades)
1. Slide the working head into the machine and click into place.
 2. Make sure the working head is fully secure.
 3. Remove the blade cover.



Removal of the working head

1. Fit the blade cover
2. Press both of the working head release buttons and rotate/slide the working head from the housing.

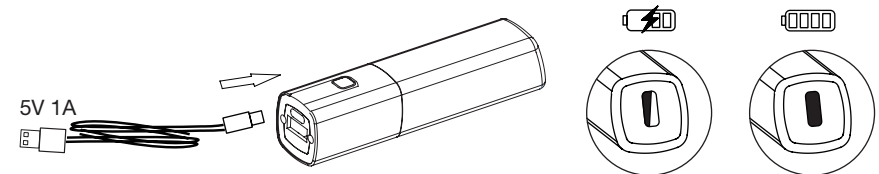
OPERATION

Charging the battery pack

WARNING! Do not use other charging wires which are not recommended by the manufacturer.

NOTE: The battery is supplied partially charged. To ensure full capacity of the battery, fully charge the battery before using it on the product.

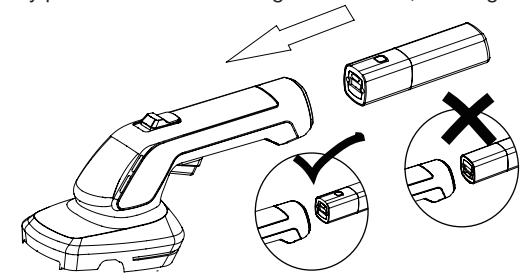
1. Connect the battery with the charging wire (Type C adaptor).
2. Select an USB type A power source that match to 5V 1A or less.
3. The green indicator will flash during normal charging.
4. The Indicator will show green when battery pack has been fully charged.



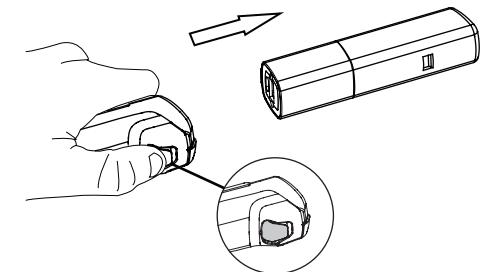
Insert the battery

- Insert the battery into the device; make sure the battery pack is in the right orientation.

IMPORTANT: Make sure that the battery pack is inserted in the right orientation, torch light button on up side.



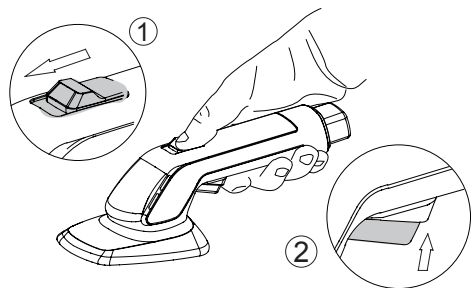
- If you want to uninstall the battery pack, press the battery pack release lever and then remove the battery pack .



OPERATION

To switch ON:

1. Push lock-off button forward and depress the switch trigger.
2. Release the lock-off button.



To switch OFF:

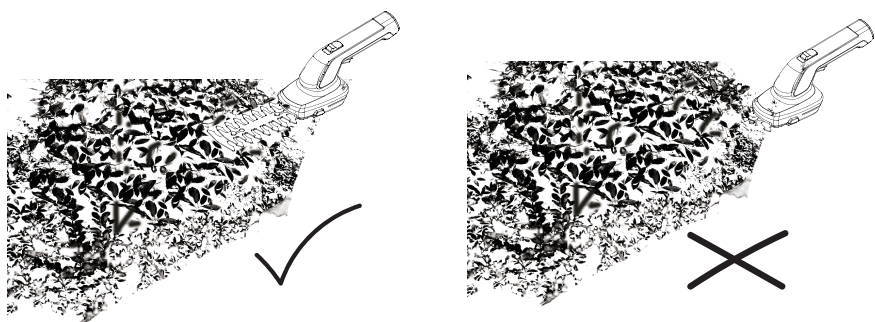
Release the on/off switch.

Cutting hedges

NOTICE! Risk of damage to the unit!

Be especially careful when working near fences! If material such as fence wire should get caught up in the cutting unit then switch off the device immediately.

Risk of environmental damage! Before cutting a hedge, check no birds are nesting. Trim smoothly with the broad side of the cutting equipment. Do not push the device into the hedge.



MAINTENANCE AND STORAGE



WARNING: Wear protective gloves before doing any operation.

Maintenance

1. Always switch the product off, disconnect the battery pack and let the product cool down before performing inspection, maintenance and cleaning work.
2. Keep the product clean. Remove debris from it after each use and before storage, using a soft damp cloth.
3. Regular and proper cleaning will help ensure safe use and prolong the life of the product.
4. Inspect the product before each use for worn or damaged parts. Do not operate if you find broken or worn parts.

WARNING! Only perform repairs and maintenance work according to these instructions. All further works must be performed by a qualified specialist.

Cleaning

Before cleaning, inspecting or repairing your unit, make sure that the motor has stopped and is cool. Disconnect the battery pack to prevent accidental starting.

NOTE: To ensure the best performance of your product, it is important to keep it clean. Always clean your cordless grass shear immediately after use.

Do not allow grass cuttings and other debris to become dry and hard on any of the product surfaces. This will directly affect the cutting performance. Never clean the product with a water jet or high pressure cleaner. The motor must remain dry. Do not use aggressive cleaning agents such as cold cleaner or petroleum ether.

1. Clean the product with a dry cloth. Use a brush for areas that are hard to reach.
2. Oil the cutting tool. Spray oil on all sides of the blades.

Transportation

1. Switch the product off and disconnect the battery pack from the machine before transporting it anywhere.
2. Attach transportation guards, if applicable.
3. Always transport the product by its handle. When lifting the product use the transportation handle as an aid.
4. Protect the product from any heavy impact or strong vibrations which may occur during transportation in vehicles.
5. Secure the product to prevent it from slipping or falling over.

Storage

1. Clean the product as described above and disconnect the battery pack.
2. Store the product and its accessories in a dry, frost-free area.
3. Always store the product in a place that is inaccessible to children. The ideal storage temperature is between 10°C and 30°C.
4. We recommend using the original packaging for storage or covering the product with a suitable cloth or enclosure to protect it against dust.

TROUBLESHOOTING

Fault	Possible cause	Troubleshooting
Machine fails to start	Battery pack discharged?	Charge the battery
	Battery pack defective?	Contact service center
	Is the device defective?	Contact service center
	Battery pack not fully inserted	Remove and reinsert battery pack
High vibration	Blades jammed	Remove blade and reassemble
		Check blades are clear of debris

DECLARATION OF CONFORMITY

To the provisions of Council Directives

We
SUMEC UK Co.,Ltd.
Unit A&B, Escrick Business Park
Escrick, York YO 19 6FD

Declare that the product:
 Machine Description: Cordless Grass shear
 Machine Type: LT V12/ HT03B-ZA
 Function: Trimming grass

Complies with the essential health and safety requirements of the following directives:

Supply of Machinery (Safety) Regulations 2008
 Electromagnetic Compatibility Regulations 2016
 Noise Emission in the Environment by Equipment for use Outdoors Regulations 2001
 The Restriction of the Use of Certain Hazardous Substances in Electrical and Electronic Equipment Regulations 2012

Standards and technical specification referred to :

EN 60335-1
 EN 50636-2-94
 EN 62841-1
 EN 62841-4-2
 EN 55014-1:2017+A11:2020
 EN 55014-2:2015

Authorized Signatory
 Date: 18.01.2022

Signature: _____ *M. Hall*
 Place: York
 Name: Mariana Hall
 General Manager

SUMEC UK
 Unit A&B Escrick Business Park
 Escrick, York
 YO19 6FD



DECLARATION OF CONFORMITY

To the provisions of Council Directives

We
MEROTEC GmbH
Otto-Brenner-Str. 8, 47877 Willich
Germany

Declare that the product:

Machine Description: Cordless Grass shear

Machine Type: LT V12/ HT03B-ZA

Function: Trimming grass

Complies with the essential health and safety requirements of the following directives:

Machinery Directive 2006/42/EC

Electromagnetic Compatibility Directive 2014/30/EU

Noise Directive, amended by 2005/88/EC

EC Directive 2011/65/EU and its amendment Directive (EU) 2015/863 (RoHS)

Standards and technical specification referred to:

EN 60335-1

EN 50636-2-94

EN 62841-1

EN 62841-4-2

EN 55014-1:2017+A11:2020

EN 55014-2:2015

Authorized Signatory

Date: 18.01.2022

Signature: 

Place: Willich

Name: Ronald Menken

General Manager

MEROTEC GmbH

Otto-Brenner-Str. 8

D-47877 Willich, Germany

