



# YARD FORCE®

LAWN & GARDEN EQUIPMENT

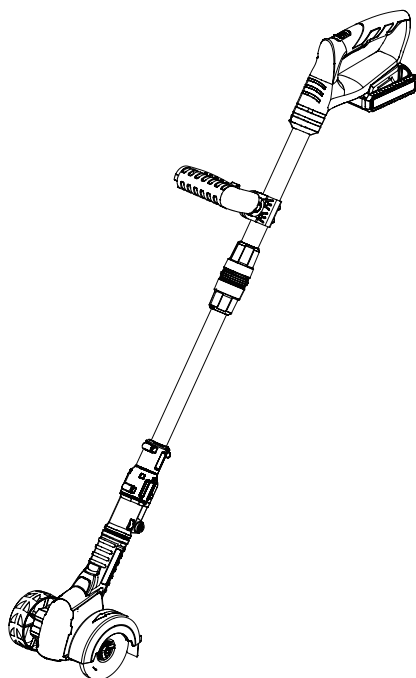
**LU C10**

**ASYWS0110020**

**GB**

## **20V CORDLESS PATIO WEEDER**

**Original Instructions**



**+44(0)1904 727513**



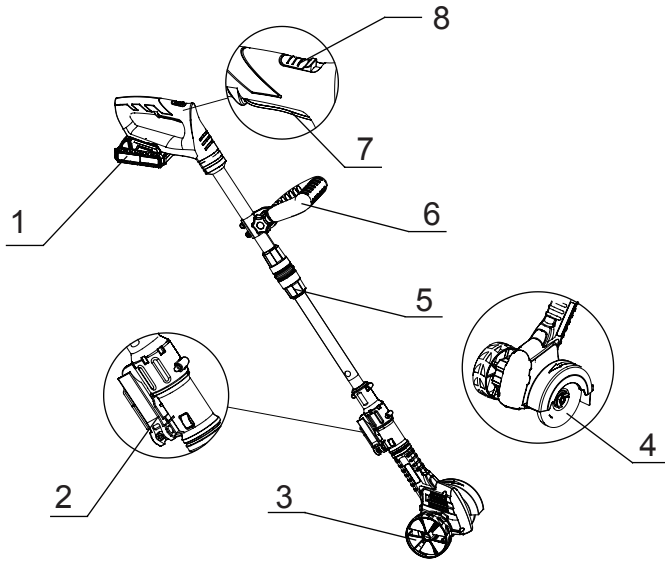
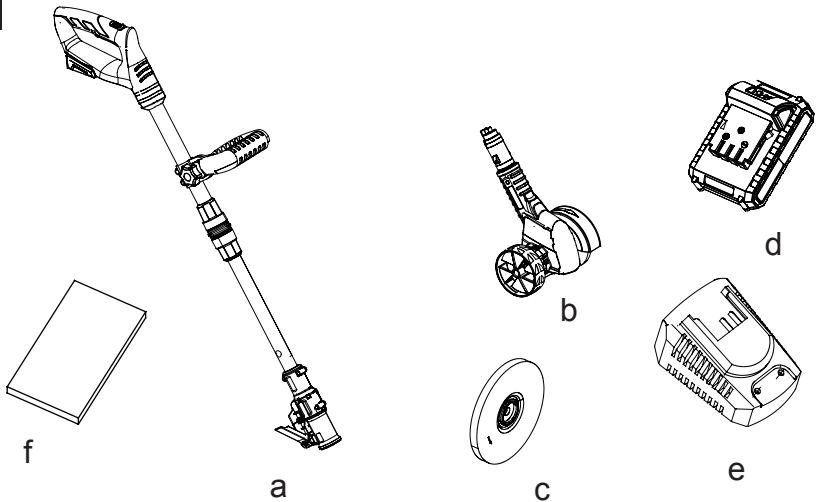
**support@yardforce.co.uk**

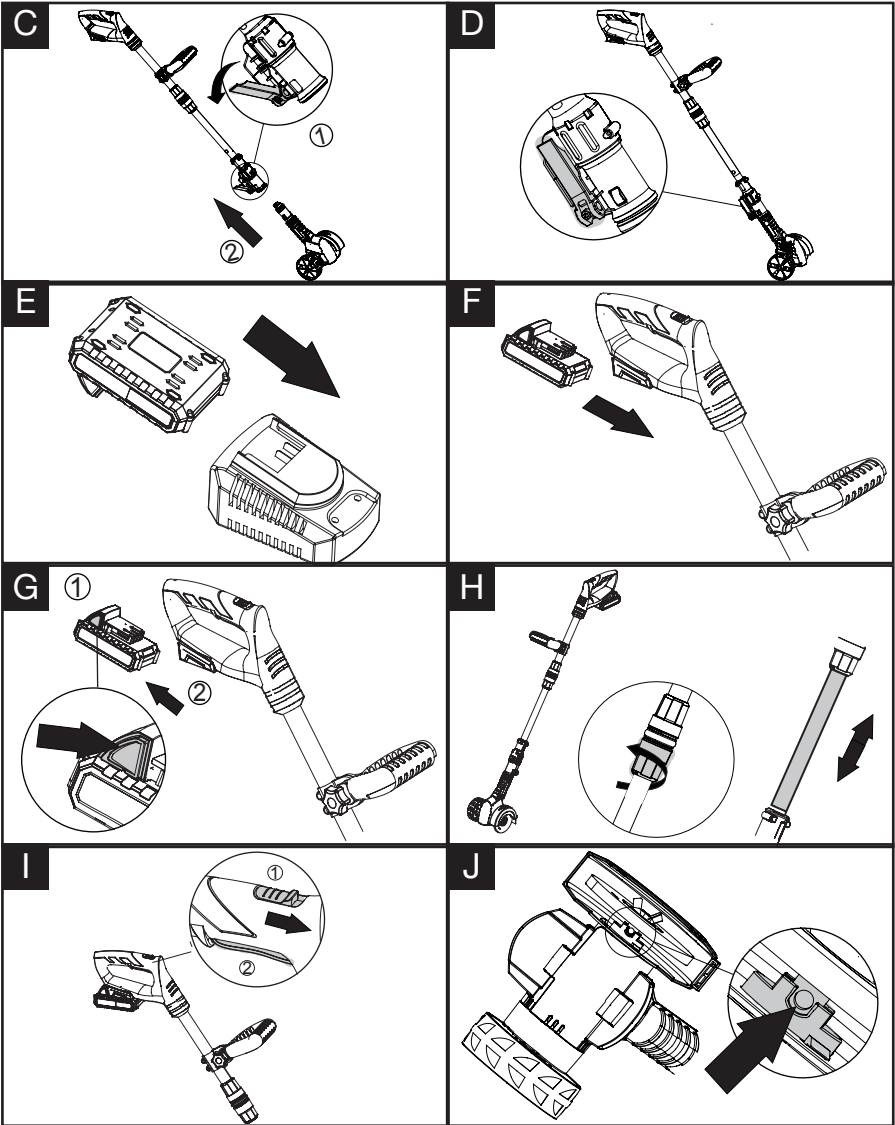
**www.yardforce.eu**

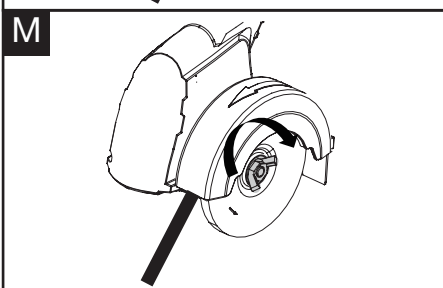
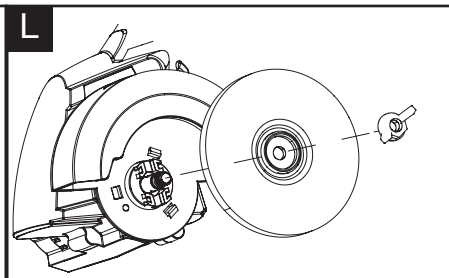
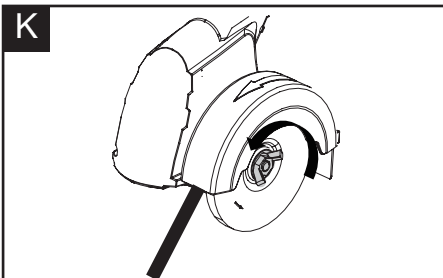




Read this manual carefully prior to assembling and operating the Patio Weeder. It is dangerous to operate this product without being familiar with these instructions. Keep this manual in a safe place and have it ready for future reference.

**A****B**





# **YARD FORCE**

## **LU C10 Original Instructions**

### **CONTENT**

Intended use	07
General safety warnings	07
Symbols	20
Technical data	24
Description of product	25
Installation & Operation	26
Maintenance and storage	28
Troubleshooting	30
Warranty	31
CE declaration	32

## INTENDED USE

The product is intended to clean the gap or edge of outdoor surfaces such as patio stones, wood, or composite material.

For safety reasons it is essential to read the entire instruction manual before first operation and to observe all the instructions therein.

This product is intended for private domestic use only, not for any commercial trade use. It must not be used for any purposes other than those described.

## GENERAL SAFETY WARNINGS



### **WARNING!**

Read all safety warnings and all instructions. Failure to follow the warnings and instructions may result in electric shock, fire and/or serious injury. Save all warnings and instructions for future reference.

1. Keep work area clean and well-lit. Cluttered, dark areas invite accidents.
2. Replacement parts – When servicing this unit, use only identical replacement parts. Replace or repair damaged parts immediately.
3. Keep children, bystanders, and pets away. All spectators, including pets, should be kept a safe distance away from the work area.
4. Know your product – Know how to start and stop the machine. Be thoroughly familiar with the controls.
5. Use the right tool – Do not use this machine for any purpose other than for which it was intended.
6. Dress appropriately – Do not wear loose clothing or jewellery as such accessories can become caught in moving parts. Tie long hair back, to avoid injury. Wear rubber gloves and non-slip footwear when working outdoors. Wearing rubber gloves and substantial non-slip

## GENERAL SAFETY WARNINGS

footwear is recommended when working outdoors.

7. Avoid accidental starting – Do not carry the patio weeder with your finger on the switch.

CAUTION! Moving parts will continue to run for several seconds after turning off the machine.

8. Moving parts – Keep hands and feet away from moving parts. Keep guards in place and in proper working order.

9. Do not force the tool – It will perform better with less likelihood of personal or mechanical injury if it is used at the rate for which it was designed.

10. Do not overreach – Keep proper footing and balance at all times.

If the patio weeder strikes a foreign object, follow these steps:

- Stop the cordless patio weeder.
- Inspect for damage.
- Repair any damage before restarting and operating the tool.

11. Use safety glasses – Also use safety footwear, snug-fitting clothing, protective gloves, hearing, and head protection.

12. Remove the battery – Remove the battery from the patio weeder when it is not in use, before servicing it, when changing accessories and when performing any other maintenance task.

13. Store indoors – When not in use, the patio weeder should be stored indoors in a dry and safe place out of the reach of children.

14. Maintain the patio weeder with care – Keep the cutting edges sharp and clean for optimal performance and to reduce the risk of injury. Keep the handles dry, clean, and free from oil and grease. Follow the additional



## GENERAL SAFETY WARNINGS

recommendations described in the maintenance section of this manual.

15. Avoid dangerous environments – Do not use the patio weeder in rain or in damp or wet locations. Do not operate in gaseous or explosive atmospheres or use near flammable or combustible liquids. Motors in these tools normally spark, and the sparks might ignite fumes.

16. Do not operate the patio weeder when you are tired or under the influence of drugs, alcohol, or other medication.

17. Check for damaged parts – Before further use of the tool, any part that is damaged should be carefully checked to determine that it will operate properly and perform its intended function. Check for alignment of moving parts, binding of moving parts, breakage of parts, mounting, and any other condition that may affect its operation.

## SAVE THESE INSTRUCTIONS

### Training

- Read, understand, and follow all instructions on the patio weeder and in the manual before operating this machine. Thoroughly familiarize yourself with the controls and the proper use of the equipment. Know how to stop the unit and disengage the controls quickly.
- Children should never be allowed access to the equipment. Adults should never operate the equipment without carefully reading and understanding these instructions.
- Keep the area of operation clear of all persons, particularly small children or pets.

## GENERAL SAFETY WARNINGS

- Always observe the surface conditions in order to avoid slipping, falling, and unexpected objects.

### Preparation

- Always inspect the area where the patio weeder is to be used. Remove all objects (i.e. stones, sticks, wires, and other foreign materials) that could cause the operator to trip.
- Always wear safety glasses or eye shields during operation and while making an adjustment or repair.
- Always operate the patio weeder wearing adequate garments. Do not wear jewellery or other loose clothing, which could become entangled in moving parts. Wear non-slip footwear to ensure proper footing.
- Inspect the weed patio weeder for worn, missing, or damaged parts and safety labels. See maintenance section for detailed instructions.

### Operation

- Do not operate the machine while under the influence of alcohol or drugs.
- Keep all safety devices in place and in proper working order.
- Do not operate with missing or damaged components.
- Ensure the controls (start/stop) function properly before starting.
- Hold onto the patio weeder with both hands during operation. Ensure the grips are dry.
- Contact with rotating parts can cause severe injury to hands and feet.
- Only operate the patio weeder when there is good visibility or light and dry conditions. Always watch your

## GENERAL SAFETY WARNINGS

footing and keep a firm hold on the grips. Walk; don't run!

- Do not operate the patio weeder on slippery surfaces. Check your footing during use.
- Exercise caution when changing direction and operating the tool on slopes. Always keep feet and legs a safe distance away from the machine. Look for hidden obstacles or hazards.
- If the patio weeder should start to vibrate abnormally, stop the machine and inspect thoroughly for damage.
- Turn the machine OFF when moving to a new work area. Allow the blades to completely stop rotating before transporting the unit.
- Do not use in rain or wet conditions.

### Stopping Work

- Always turn the machine OFF when you have finished or when changing work areas. Never leave the machine running when unattended. Remove the battery when your task is finished.
- The motor housing remains hot for a short period after the machine is turned OFF. Allow the motor housing to cool completely before touching or storing near combustible material.

### Maintenance and Storage

- Maintain or replace safety and instruction labels.
- Disengage all controls, stop the engine, and wait until the blades come to a complete stop before cleaning, repairing, or inspecting the patio weeder.
- Regularly check the following:
  - i) Brushes are clear and can rotate freely – Accumulation

## GENERAL SAFETY WARNINGS

of debris around the brush could impair performance or damage the motor. Inspect and clean the area around the brush before every use.

ii) Safety devices are operating properly – Do not tamper with or adjust safety devices.

iii) Bolts and screws are properly tightened – Visually inspect the machine for any damage and ensure that the patio weeder is in safe working condition.

iv) Use only identical replacement parts – We recommend to use the parts provided by the manufacturer.

Replacement parts that do not meet the original equipment specifications may lead to improper performance and compromise safety.

### **Battery and Charger instructions**

We pay a great deal of attention to the design of every battery pack to ensure that we supply you with batteries that are safe, durable and have a high energy density.

The battery cells have a wide range of safety devices.

Each individual cell is initially formatted and its electrical characteristic curves are recorded. This data is then used exclusively to be able to assemble the best possible battery packs.

Despite all the safety precautions, caution must always be exercised when handling batteries. The following points must be followed at all times to ensure safe use. Safe use can only be guaranteed if undamaged cells are used. Incorrect handling of the battery pack can cause cell damage.

## GENERAL SAFETY WARNINGS

**IMPORTANT!** Analysis confirms that incorrect use and poor care of high-performance batteries are the main factors responsible for personal and/or product damage.

**WARNING!** Use only approved replacement batteries; other batteries may damage the cordless patio weeder and cause it to malfunction, which can lead to serious personal injury.

**CAUTION!** To reduce the risk of injury, charge the 20V lithium-ion battery pack only in its designated lithium-ion charger. Other types of chargers present risk of fire, personal injury and damage. Do not wire a battery pack to a power supply plug or car cigarette lighter. Such misuse will permanently disable or damage the battery pack.

- Avoid dangerous environments – Do not charge the battery pack in rain, snow or in damp or wet locations. Do not use the battery pack or charger in the presence of explosive atmospheres (gaseous fumes, dust or flammable materials) because sparks may be generated when inserting or removing the battery pack, which could lead to a fire.
  - Charge in a well-ventilated area. Do not block the charger vents. Keep them clear to allow for proper ventilation. Do not allow cigarettes or open flames near a charging battery pack. Vented gases may explode.
- NOTE: The safe temperature range for the battery is -4°F (-20°C) to 113°F (45°C). Do not charge the battery outside in freezing weather; charge it at room temperature.

## GENERAL SAFETY WARNINGS

- Maintain charger cord – When unplugging the charger, pull the plug, not the cord, from the receptacle to reduce the risk of damage to the electrical plug and cord. Never carry the charger by its cord or yank it by the cord to disconnect it from the power source. Keep the cord away from heat, oil and sharp edges. Make sure the cord will not be stepped on, tripped over or subjected to damage or stress when the charger is in use. Do not use the charger with a damaged cord or plug. Replace a damaged charger immediately.
- Do not use an extension cord unless it is absolutely necessary – Using the wrong, damaged or improperly wired extension cord poses a risk of fire and electric shock.

If an extension cord must be used, plug the charger into a properly wired 16 gauge or larger extension cord with the female plug matching the male plug on the charger. Make sure that the extension cord is in good electrical condition.

- Charger is rated for 230-240 volt AC only – The charger must be plugged into an appropriate receptacle.
- Use only recommended attachments – Use of an attachment not recommended or sold by the battery charger or battery pack manufacturer may result in risk of fire, electric shock or personal injury.
- Unplug charger when not in use – Make sure to remove battery packs from unplugged chargers.

**WARNING!** To reduce the risk of electric shock, always unplug the charger before performing any cleaning or maintenance.

## GENERAL SAFETY WARNINGS

- Do not burn or incinerate battery packs – Battery packs may explode, causing personal injury or damage. Toxic fumes and materials are created when battery packs are burned.
- Do not crush, drop or damage battery packs – Do not use the battery pack or charger if they have sustained a sharp blow, been dropped, run over or have been damaged in any way (i.e. pierced with a nail, hit with a hammer, stepped on, etc.).
- Battery chemicals cause serious burns – Never let a damaged battery pack contact the skin, eyes or mouth. If a damaged battery pack leaks battery chemicals, use rubber or neoprene gloves to safely dispose of it. If skin is exposed to battery fluids, wash the affected area with soap and water and rinse with vinegar. If eyes are exposed to battery chemicals, immediately flush with water for 20 minutes and seek medical attention. Remove and dispose of contaminated clothing.
- Do not short circuit – A battery pack will short circuit if a metal object makes a connection between the positive and negative contacts on the battery pack. Do not place a battery pack near anything that may cause a short circuit, such as paper clips, coins, keys, screws, nails and other metallic objects. A short-circuited battery pack poses a risk of fire and severe personal injury.
- Store your battery pack and charger in a cool, dry place – Do not store the battery pack or charger where temperatures may exceed 104°F (40°C), such as in direct sunlight or inside a vehicle or metal building during the summer.

### Information about the battery

1. The battery pack supplied with your cordless patio weeder is only partially charged. The battery pack has to be charged completely before you use the tool for the first time.
2. For optimum battery performance, avoid low discharge cycles by charging the battery pack frequently.
3. Store the battery pack in a cool place, ideally at 59°F (15°C) and charged to at least 40%.
4. Lithium-ion batteries are subject to a natural ageing process. The battery pack must be replaced at the latest when its capacity falls to just 20% of its capacity when new. Weakened cells in an aged battery pack are no longer capable of meeting the high power requirements needed for the proper operation of your patio weeder, and therefore pose a safety risk.
5. Do not throw battery packs into an open fire as this poses a risk of explosion.
6. Do not ignite the battery pack or expose it to fire.
7. Do not exhaustively discharge batteries. Exhaustive discharge will damage the battery cells. The most common cause of exhaustive discharge is lengthy storage or non-use of partially discharged batteries. Stop working as soon as the performance of the battery falls noticeably or the electronic protection system triggers. Place the battery pack in storage only after it has been fully charged.
8. Protect batteries and the tool from overloads. Overloads will quickly result in overheating and cell damage inside the battery housing even if this



## GENERAL SAFETY WARNINGS

overheating is not apparent externally.

9. Avoid damage and shocks. Immediately replace batteries that have been dropped from a height of more than one meter or those that have been exposed to violent shocks, even if the housing of the battery pack appears to be undamaged. The battery cells inside the battery may have suffered serious damage. In such instances, please read the waste disposal information for proper battery disposal.

10. If the battery pack suffers overloading and overheating, the integrated protective cutoff will switch off the equipment for safety reasons.

**IMPORTANT!** Do not press the ON/OFF switch any more if the protective cut-off has been activated. This may damage the battery pack.

11. Use only original battery packs. The use of other batteries poses a fire risk and may result in injuries or an explosion.

### **Information about the charger and the charging process**

1. Please check the data marked on the rating plate of the battery charger. Be sure to connect the battery charger to a power supply with the voltage marked on the rating plate. Never connect it to a different mains voltage.

2. Electrical plugs must match the outlet. Never modify the plug in any way. Do not use any adapter plugs with grounded appliances. Unmodified plugs and matching outlets will reduce the risk of electric shock.

## GENERAL SAFETY WARNINGS

3. Keep the battery charger, battery pack(s) and the cordless tool out of the reach of children.
4. Do not use the supplied battery charger to charge other cordless tools.
5. Do not overcharge batteries. Do not exceed the maximum charging times. These charging times only apply to discharged batteries. Frequent insertion of a charged or partially charged battery pack will result in overcharging and cell damage. Do not leave batteries in the charger for days on end.
6. Do not use batteries that have been exposed to heat during the charging process, as the battery cells may have suffered dangerous damage.
7. Do not use batteries that have suffered curvature or deformation during the charging process or those that exhibit other atypical symptoms (gassing, hissing, cracking, etc.).
8. Never fully discharge the battery pack (maximum recommended depth of discharge is 80%). A complete discharge of the battery pack will lead to premature ageing of the battery cells.

### **Protection from environmental influences**

1. Wear suitable work clothes. Wear safety goggles and appropriate footwear.
2. Protect your cordless tool and the battery charger from moisture and rain. Moisture and rain can cause dangerous cell damage.
3. Do not use the cordless tool or the battery charger near vapors and flammable liquids.
4. Use the battery charger and cordless tools only in dry conditions and at an ambient temperature of 50-104°F

## GENERAL SAFETY WARNINGS

(10-40°C).

5. Do not keep the battery charger in places where the temperature is liable to reach over 104°F (40°C). In particular, do not leave the battery charger in a car that is parked in the sunshine.

6. Protect batteries from overheating. Overloads, overcharging and exposure to direct sunlight will result in overheating and cell damage. Never charge or work with batteries that have been overheated – replace them immediately, if possible.

7. Store the charger and your cordless tool only in dry locations with an ambient temperature of 50-104°F (10-40°C). Store your lithium-ion battery pack in a cool, dry place at a temperature of 50-68°F (10-20°C). Protect the battery pack, charger and cordless tool from humidity and direct sunlight. Only place fully charged batteries in storage (charged to at least 40%).

8. Prevent the lithium-ion battery pack from freezing. Battery packs that were stored below 32°F (0°C) for more than 60 minutes must be discarded.

9. When handling batteries, be wary of electrostatic charge. Electrostatic discharges can damage the electronic protection system and the battery cells. Avoid electrostatic charging and never touch the battery poles.

### Safety symbols

The purpose of safety symbols is to attract your attention to possible dangers. The safety symbols and the explanations with them require your careful attention and full understanding. The symbol warnings do not, by themselves, eliminate any danger. The instructions and warnings they give are no substitutes for proper accident prevention measures.

**WARNING:** Be sure to read and understand all safety instructions in this operator's manual, including all safety alert symbols such as "**DANGER**," "**WARNING**," and "**CAUTION**" before using this tool. Failure to follow all instructions listed below may result in electric shock, fire and/or serious personal injury.

**SAFETY ALERT SYMBOL:** Indicates **DANGER**, **WARNING**, or **CAUTION**. May be used in conjunction with other symbols or pictographs.

### Symbol meaning

This page depicts and describes safety symbols that may appear on this product. Read, understand and follow all instructions on the machine before attempting to assemble and operate.

## SYMBOLS



Please read all of the safety and operating instructions carefully before using this machine. Read the instruction manual before operating.



WARNING! Failure to follow the warnings and instructions may result in electric shock, fire and/or serious injury.



Do not use this tool in the rain. Avoid using it in damp conditions.



This symbol indicates the requirement of wearing eye protection when using the product.



The product complies with the applicable European directives, and an evaluation method of conformity for these directives was done.



Waste electrical products should not be disposed of with household waste. Please recycle where facilities exist. Check your Local Authority or retailer for recycling advice.



Keep bystanders away. Objects thrown by the product could hit the user or other bystanders. Always ensure that other people and pets remain at a safe distance from the product when it is in operation.

## SYMBOLS

### Symbol On Battery Pack



To reduce the risk of injury, user must read instruction manual carefully.



Do not throw into water.



Do not throw on fire.



Do not subject the battery to strong sunlight over long periods of time. Do not leave on a heater (max.45°C).



Li-Ion

Batteries contain Li-ion. Do not dispose of waste batteries in domestic waste. Contact local authority to find out how to dispose of batteries.



WEEE symbol. Waste electrical products should not be disposed of with household waste. Please recycle where facilities exist. Check with your Local Authority or local store for recycling advice.

## SYMBOLS

### Symbol On Battery Pack



To reduce the risk of injury, user must read instruction manual carefully.



The charger is for indoor use only.



Double insulation

T3.15A



Protective 3.15 A limited







WEEE symbol. Waste electrical products should not be disposed of with household waste. Please recycle where facilities exist. Check with your Local Authority or local store for recycling advice.



The product complies with the applicable European directives and an evaluation method of conformity for these directives was done.

## TECHNICAL DATA

Model		LU C10
Voltage		20V d.c.
Battery capacity		2.0 Ah
No load speed		1200 rpm
Brush size		100 mm
Measured sound pressure level(LpA)		70.4 dB(A) K=3.0 dB(A)
Measured sound power level(LwA)		82.1 dB(A) K=3.0 dB(A)
Net weight		2.2 kg
Vibrations		0.79 m/s <sup>2</sup> K=1.5 m/s <sup>2</sup>



The sound values have been determined according to noise test code given in EN 60745-2-15, using the basic standards EN ISO 11094 and EN ISO 3744.

The noise figures quoted are emission levels and are not necessarily safe working levels.

Factors that influence the actual level of exposure of work-force include the characteristics of the work room, the other sources of noise, etc. i.e. the number of machines and other adjacent processes, and the length of time for which an operator is exposed to the noise.

Also the permissible exposure level can vary from country. This information, however, will enable the user of the machine to make a better evaluation of the hazard and risk.

**Wear hearing protection!** The sound intensity level for the operator may exceed 80 dB (A)

and ear protection measures are necessary!

The declared vibration value has been measured in accordance with a standard test method (according to EN 60745-2-15) and may be used for comparing one product with another. The declared vibration value may also be used in a preliminary assessment of exposure.

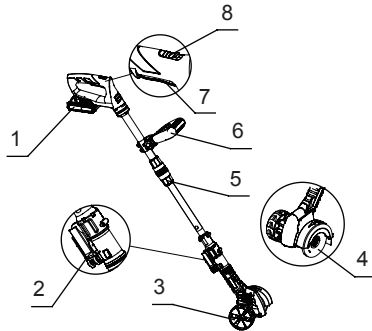
This tool may cause hand-arm vibration syndrome if its use is not adequately managed.



## DESCRIPTION OF PRODUCT

### Parts description (Fig. A)

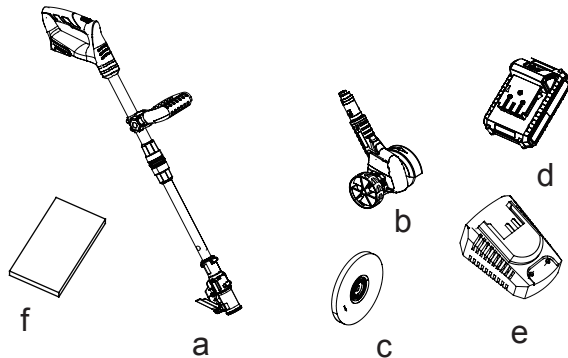
1. Battery pack
2. Spanner lever
3. Wheel
4. Brush wheel
5. Height adjusting knob
6. Auxiliary handle
7. Switch trigger
8. Safety button



### Delivery contents (Fig. B)

Carefully unpack the appliance and check that it is complete. Dispose of the packaging material correctly.

- a. Telescopic shaft
- b. Working head
- c. Wire brush
- d. Battery pack
- e. Charger
- f. Manual



**WARNING:** If any parts are damaged or missing, do not operate this tool until these parts are replaced. Failure to heed this warning could result in serious personal injury.



**NOTE:** Always recycle the packaging in accordance with local recycling guidelines.

## INSTALLATION

### Connecting the patio weeder head with the shaft (Fig. C&D)

1. Unlock the spanner lever on the telescopic shaft.
2. Connect the working head with the telescopic shaft.
3. Lock the spanner lever.

## OPERATION

### Charging the battery pack (Fig. E)

**NOTE:** Remove the battery pack from the charger after it has been fully charged.

**NOTE:** Battery should be fully charged before first use.

**NOTE:** Make sure the mains voltage is the same as rating label which is located on the charger.

1. Connect the charger to a power supply. The green LED will light up.
2. To insert the battery pack into the charger, align the raised ribs of the battery pack with the grooves of the charger then push it in.
3. The red LED light of the charger will light up during normal charging.
4. After charging is complete, the green LED will light up again.

### Power indicator

This Li-Ion battery pack is equipped with a power indicator which is used to show the battery pack's remaining charge. Press the power indicator button to check battery charge as below. The LEDs will stay lit for approximately 4 seconds.

### To obtain the best life from the battery

1. Never allow the battery to completely discharge before recharging. The battery pack should be placed on the charger whenever the battery pack is noticeably running down or the tool no longer performs a task it previously performed.
2. Avoid conducting short charges. Make sure that the battery is fully charged each time by allowing the charger to complete its full charging cycle.
3. Avoid allowing loose items like screws or nails etc. to be stored with battery packs as these or similar items can short battery packs and cause a fire or explosion.
4. Always unplug the charger when not in use and store in a dry and secure place.
5. Avoid charging or storing your battery in temperatures below 5°C and above 45°C.
6. After use, allow the battery to pack to cool down for approximately 30 minutes before attempting to recharge.

### Insert the battery pack to the tool (Fig. F)

Align the battery pack with its compartment of the tool. Push the battery pack in place until you hear a click. This means the battery pack has been locked in position.

### Removing the battery pack from the tool (Fig. G)

Pinch the battery pack release button, and then pull out the battery pack.

## OPERATION

### Adjust the height of the tool (Fig. H)

1. Loosen the lower half of the knob located in the middle of aluminum shaft by turning it anti-clockwise.
2. Pull the lower shaft up or down to adjust the desired height.
3. Tighten the knob by turning counter clockwise.

### Switching on and off

To switch on (Fig. I)

1. Hold the product firmly in both hands.
2. To switch on the product, Push the safety button forward with your thumb, and hold it in place, then press the switch trigger.

To switch off

Release the switch trigger.



**WARNING:** The tool runs on for several seconds after it has been switched off.



**NOTE:** Always switch off before placing it down.



**NOTE:** Do not carry the tool by the main switch.

### Install the wire brush

1. In order to uninstall the nylon brush. Insert a pin into the recess on the shaft and hold with one hand. Loosen the nut by the other hand. (Fig. J&K)
2. Fit the wire brush onto the drive axle, pre-tighten the nut by hand. Make sure the brush fits accurately into the mount. (Fig. L)
3. The shaft must be fixed in order to fasten the brush. Insert a pin into the recess on the shaft and hold with one hand. Tighten the nut by the other hand. (Fig. M)

## MAINTENANCE AND STORAGE



**WARNING:** Before performing any repair work, always remove the battery pack .

### Cleaning

1. Do not spray the unit with water. Water ingress may destroy the battery pack and the electric motor.
2. Clean the unit with a cloth, hand brush, etc.
3. Keep all nuts, bolts and screws tight to be sure the equipment is in safe working condition;
4. Replace worn or damaged parts for safety.

### Cleaning the Working Tool

**WARNING!** Wear safety gloves when working on or near the working tool. Use appropriate tools (e.g a wooden stick) when necessary; never use your bare hands!

1. All nuts and bolts must be checked periodically for tightness before operation. After prolonged use, especially in sandy soil conditions, the working tool will become worn and lose some of its original shape. Weeding efficiency will be reduced and the working tool should be replaced.
2. Have worn or damaged working parts replaced with new ones of the same type by a qualified technician.

**WARNING!** Unexpected blade movement may cause personal injury. Before servicing, repairing, or inspecting the unit, turn the motor OFF and remove the battery. Wait for the blades to completely stop rotating before conducting inspection, cleaning, or maintenance.

Before and after each use, check the product and accessories (or attachments) for wear and damage. When necessary, only use identical replacement parts that are approved by the manufacturer.

**WARNING!** Contact with hot components (e.g. motor housing, gear box, etc.) on the machine may cause burns.

Allow the machine to cool off before handling.

### IMPORTANT!

- Wear protective gloves when cleaning or maintaining the machine.
- Do not use cleaning fluids or solvents or spray the machine down with water (especially water under pressure) when cleaning the machine.

**NOTE:** After each use, follow these steps to properly clean the unit:

1. Remove soil, dirt, and foliage stuck in the blades, drive shaft, tool surface, and vents with a brush or dry cloth.
2. Clean soiled grips with a damp cloth.

Always inspect the machine for damaged and worn parts after each use. Check that safety features (i.e. labels, guards, etc.) are in place. Check that nuts, bolts, and screws are tight.

## MAINTENANCE AND STORAGE

### Maintenance

1. Keep all nuts, bolts and screws tight to be sure that the machine is in safe working condition.
2. Examine the machine and replace worn or damaged parts for safety
3. Check that the guards are undamaged and correctly fitted. Carry out necessary maintenance or repairs before using.
4. Do not use the unit if the parts are blunt or worn. This will overstress the motor and gearbox of the machine.

### Spare Parts

Call the Customer support team on 01904 727513 or email [support@yardforce.co.uk](mailto:support@yardforce.co.uk) if you want order following spare parts



Wheel  
02014ZA001



Locking nut  
02014ZA002



Battery pack  
02014ZA003



wire brush  
02014ZA004



Guard  
02014ZA005



Nylon brush  
02014ZA006



Charger  
02014ZA007

### Storage

Clean the exterior of the machine thoroughly using a soft brush and cloth, Do not use water, solvents or polishes.

Store the machine in a dry place. Do not place other objects on top of the machine.

### Transport

Use the original packaging to ship whenever possible.

## TROUBLESHOOTING



### WARNING!

Before performing any repair work, always remove the battery pack.

Improper repairs can result in the product functioning unsafely. This endangers yourself and your environment.

Faults which cannot be rectified with the aid of following table may be rectified by a specialist company only (customer service center).

Please be aware that any improper repairs will also invalidate the warranty and additional costs may be incurred.

Use only genuine spare parts. These spare parts are designed and suitable for the product.

Fault	Possible cause	Solution
Product is not running.	Battery low?	Charge the battery pack.
	Battery pack does not sit its place correctly	Install the battery pack once again
	Device defective?	Call our Customer Support Team on 01904 727 513.
Product vibrates heavily	Screws are loose Locking nut are loose Brush dish is unbalanced	Check screws Check the locking nut Replace brush

## WARRANTY

### Yard Force Warranty Statement.

All Yard Force products are covered by a standard two-year warranty which can be extended to three years if the product is registered online within 28 days of purchase. If you do not register your product within 28 days of purchase, the two-year warranty will apply.

Battery packs are guaranteed for 1 year.

If your product becomes faulty within the warranty period due to defective materials or workmanship we will guarantee to

- Repair or replace all defective parts free of charge
- Repair product free of charge
- Replace the unit with a new or re-conditioned unit free of charge

#### **Our 3 Year\* warranty is subject to the following conditions:**

- The machine has only been used for domestic tasks and has not be used in industrial applications
- The tool has not been misused
- The tool has been subjected to fair wear and tear only and has not been tampered with or modified in any way.
- Unauthorised repairs have not been attempted

#### **Your warranty does not cover:**

- Components that are subject to natural wear and tear cause by normal use of the machine in line with the operating instructions, such as consumable parts and accessories
- Damage caused through negligence, abnormal working conditions or due to wilful actions of the operator
- Damage caused by using non-recommended spare parts or accessories
- Tools to which unauthorised changes or additions have been made
- Battery packs which have not been properly maintained. (See instructions within this manual).

\*Standard 2 year warranty, plus additional 1 year warranty if product registered on line at [www.yardforce.eu](http://www.yardforce.eu), within 28 days of purchase, against a valid proof of purchase receipt



+44(0)1904 727513



[support@yardforce.co.uk](mailto:support@yardforce.co.uk)

**[www.yardforce.eu](http://www.yardforce.eu)**

