



# YARD FORCE®

LAWN & GARDEN EQUIPMENT

## LM G32

Y0J-SP01-3236

GB

## 40V CORDLESS LAWNMOWER

### Original Instructions



**READ & UNDERSTAND  
INSTRUCTION MANUAL**



**Save all warnings and instructions for future reference.**

Service centre: +44(0)1904727513

Mail: [support@yardforce.co.uk](mailto:support@yardforce.co.uk)

Web: [www.yardforce.co.uk](http://www.yardforce.co.uk)

**SUMEC UK**

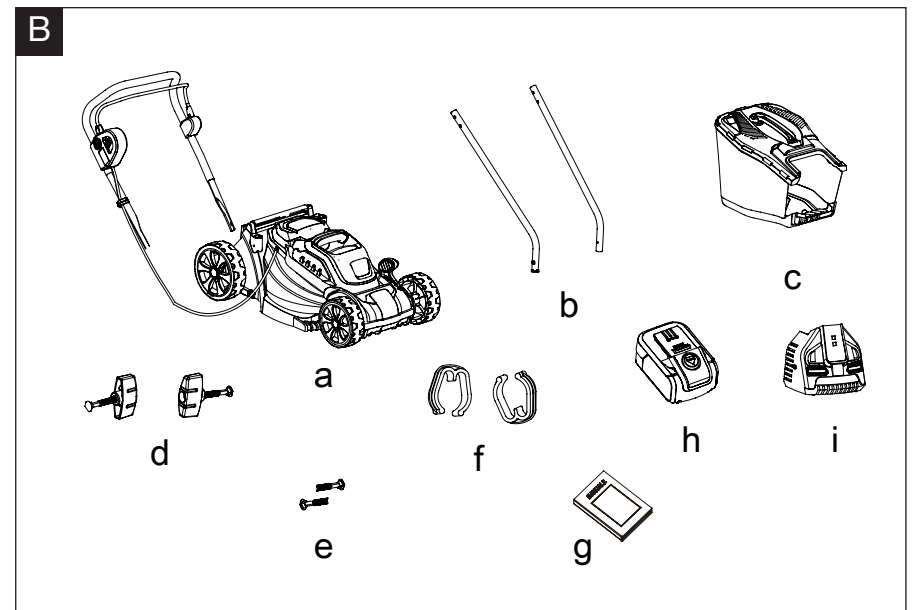
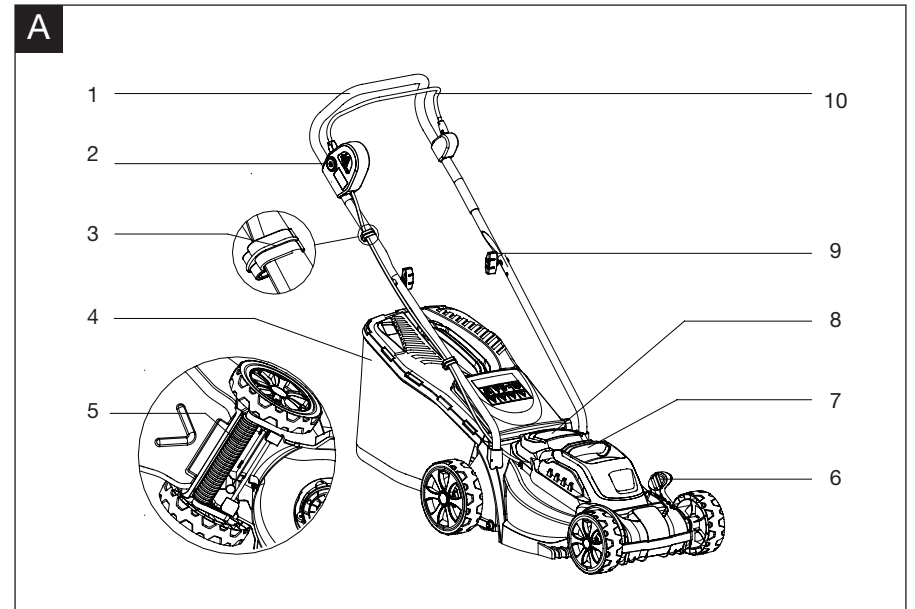
**UNIT A&B ESCRICK BUSINESS PARK**

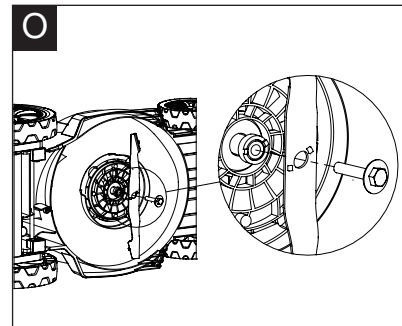
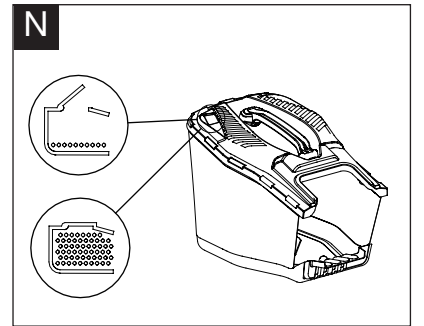
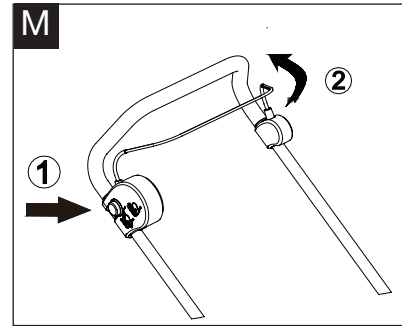
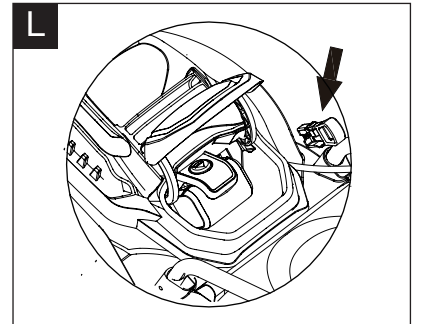
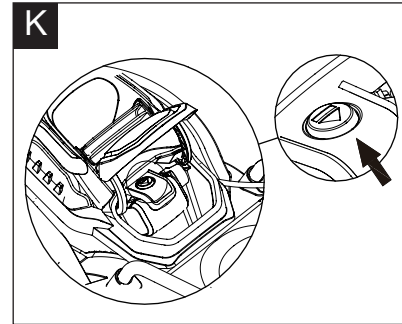
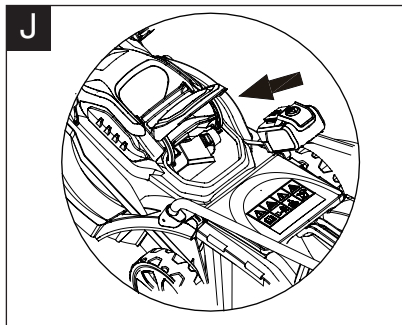
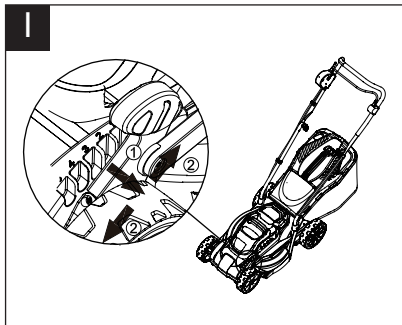
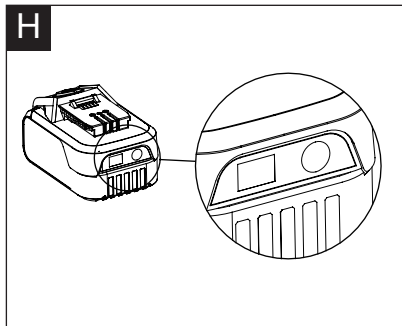
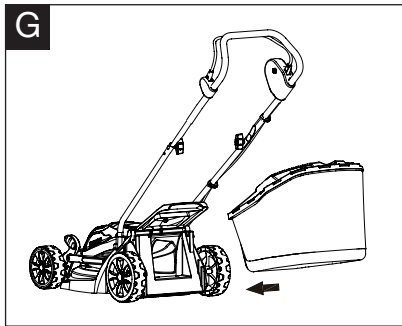
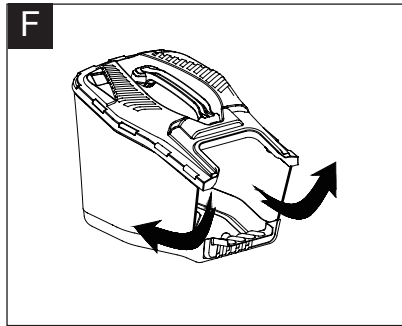
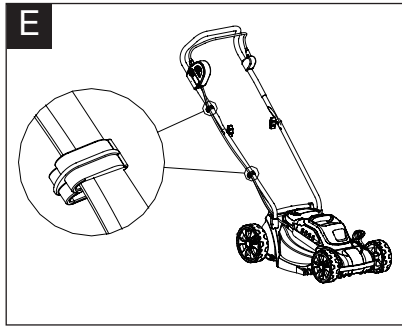
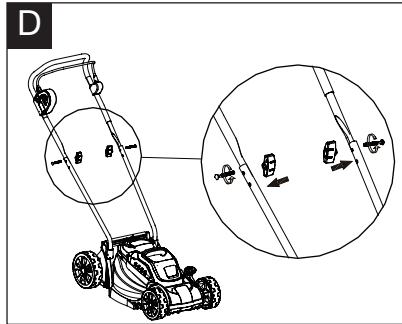
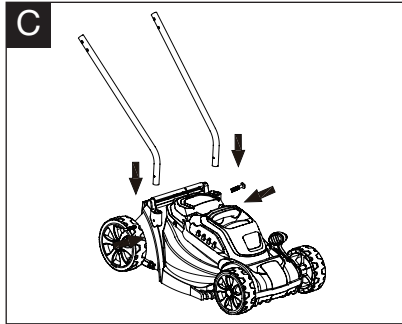
**ESCRICK, YORK**

**YO19 6FD**



Read this manual carefully prior to assembling and operating the lawnmower. It is dangerous to operate this product without being familiar with these instructions. Keep this manual in a safe place and have it ready for future reference.





### CONTENT

Intended use	07
General safety warnings	07
Product safety warnings	09
Symbols	15
Technical data	19
Description of product	20
Installation	21
Operation	22
Maintenance and storage	26
Troubleshooting	28
CE declaration	29

### INTENDED USE

This lawnmower has been designed for cutting grass. The machine is to be used only for its prescribed purpose, any other use is deemed to be a case of misuse.

Please note that our equipment has not been designed for use in commercial, trade or industrial applications. Our warranty will be voided if the machine is used in commercial, trade or industrial businesses or for equivalent purposes.

### GENERAL SAFETY WARNINGS



**WARNING:** Read all safety warnings and instructions. Failure to follow the warnings and instructions may result in electric shock, fire and/or serious personal injury.

Carefully read the instructions for the safe operation of this machine.

Save all warnings and instructions for future reference.

- This appliance can be used by children aged 8 years and above and persons with reduced physical, sensory or mental capabilities or lack of experience and knowledge if they have been given supervision or instruction concerning the use of the appliance in a safe way and understand the hazards involved.
- Children should be supervised to ensure that they do not play with the product.

**IMPORTANT**  
**READ CAREFULLY BEFORE USE**  
**KEEP FOR FUTURE REFERENCE**

## GENERAL SAFETY WARNINGS

### Training

1. Read the instructions carefully and make sure you fully understand them. Make sure you are familiar with the controls and the correct use of the product.
2. Never allow small children or people unfamiliar with these instructions to use the product. Local regulations can restrict the age of the operator.
3. Never operate the product while people, especially children or pets, are nearby.
4. Keep in mind that the operator or user is responsible for any accidents or hazards occurring to other people or their property.

### Preparation

1. While operating the product always wear substantial footwear and long trousers. Do not operate this product when barefoot or wearing open sandals. Avoid wearing clothing that is loose fitting or has hanging cords or ties.
2. Thoroughly inspect the area where the product is to be used and remove all objects which could be thrown by the product.
3. Before use, always visually inspect to see that the blade, blade bolt and the blade assembly are not worn or damaged. Replace worn or damaged components in sets to preserve balance. Replace any damaged or unreadable labels.
4. Ensure the switch is in the off position before inserting the battery pack. Inserting the battery pack into a machine that is switched on can result in injury.

## PRODUCT SAFETY WARNINGS

### General Operation

1. Use the tool only with specifically designated battery packs. Use of any other battery packs will increase the risk of injury and fire.
2. Only operate the product in daylight or in good artificial light.
3. Do not expose tool and charger to rain or wet conditions. If a tool or charger is exposed to moisture it will increase the risk of electric shock.
4. Avoid operating the product on wet grass.
5. Always be sure of your footing on slopes.
6. Walk, never run.
7. Mow across the face of slopes, never up and down.
8. Exercise extreme caution when changing direction on slopes.
9. Do not mow excessively steep slopes.
10. Use extreme caution when reversing or pulling the product towards you.
11. Stop the blades if the product has to be tilted for transportation, when crossing surfaces other than grass and when transporting the product to and from the area to be mowed.
12. Never operate the product with defective guards or shields or without safety devices in place such as deflectors or grass collector.
13. When switching on motor keep feet well away from blades.
14. Do not tilt the product when switching on the motor, except if the product has to be tilted for starting. In

## PRODUCT SAFETY WARNINGS

- this case, do not tilt it more than absolutely necessary and lift only the part furthest away from the operator.
15. Do not start the product when standing in front of the discharge opening.
  16. Do not put hands or feet near or under rotating parts.
  17. Keep clear of the discharge opening at all times.
  18. Do not transport the product while the cutting blade is running.
  19. Stop the product and remove the key/battery pack from the machine and make sure that all moving parts have come to a complete stop:
    - Whenever you leave the product unattended.
    - Before clearing blockages or unclogging chute.
    - Before checking, cleaning or working on the product.
    - After striking a foreign object. Make sure to inspect the product for damage and make repairs before restarting and operating the product.
  20. If the product starts to vibrate abnormally:
    - Inspect for any damages.
    - Replace or repair any damaged parts.
    - Check for and tighten any loose parts.

### Charger

1. Recharge only with the charger specified by the manufacturer. Do not use the original charger on other li-ion batteries or on any other type of battery as this can increase the risk of fire or explosion.

## PRODUCT SAFETY WARNINGS

2. Check the battery charger, cable and plug before each use. Do not use the battery charger if damaged. Do not open the battery charger yourself; charger must be repaired by qualified personnel using original spare parts.
3. The charger is designed to use a standard household 230-240 V~ 50Hz power source, ensure that the plug matches the outlet.
4. Never modify the plug in any way, this will reduce the risk of electric shock.
5. Do not abuse the cord of charger. Never use the cord for carrying, pulling or unplugging the charger. Keep cord away from heat, oil, sharp edges or moving parts. Damaged or entangled cords increase the risk of electric shock.
6. Make sure the charger cord is situated so that it will not be stepped on, tripped over or get damaged.
7. Keep the battery charger clean. Contamination can increase the risk of electric shock.
8. Protect the battery charger from rain and moisture. If water accesses the battery charger there is an increased risk of electric shock.
9. Battery will heat up whilst charging. To reduce the risk of fire, do not operate battery charger on flammable surfaces such as paper or textiles.
10. The temperature range over which the battery pack can be charged is typically between 5°C-45 °C. Attempts to charge outwith the prescribed temperature range may automatically be blocked by

## PRODUCT SAFETY WARNINGS

the protection circuitry of the battery pack. Longest life and best performance can be obtained if the battery pack is charged at room temperature.

11. Disconnect charger from the power supply when not in use. This will reduce the risk of electric shock or damage to the charger.

### Battery pack

1. Fully charge battery pack before first use.
2. Recharge battery pack immediately when the power output starts to slow. **DO NOT CONTINUE TO USE PRODUCT WHEN BATTERY LEVEL IS LOW.**
3. To prevent serious damage to the battery, charge in temperatures above 5°C or below 45°C. Longest life and best performance can be achieved when battery is charged at room temperature.
4. If the battery temperature is above 45°C it must be allowed to cool before putting it into the charging station.
5. To reduce the risk of explosion, ensure the battery pack is not left in the sun for extended periods of time and that it is kept away from fire.
6. Do not carry individual battery packs in your pockets or bag as they could short-circuit against other metal items.
7. Should a li-ion battery catch fire, ensure to use the correct fire extinguisher to combat the fire. **DO NOT THROW WATER ON A BURNING LI-ION BATTERY.**

## PRODUCT SAFETY WARNINGS

8. If the battery pack becomes too hot during charging, disconnect and switch off immediately. Contact the service centre directly.
9. Do not attempt to open the battery yourself.
10. When battery pack is not in use keep it away from other metal objects such as paperclips, coins, keys, nails, screws or other small metal objects that can make a connection from one terminal to another.

### Maintenance and storage

1. Keep all nuts, bolts and screws tight to be sure the product is in a safe working condition.
2. Check the grass collector frequently for wear or deterioration.
3. Be careful when adjusting the product to prevent trapping fingers between moving blades or other fixed parts of the product.
4. Always allow the product to cool down before storing.
5. When servicing the blades be aware that even though the power source is switched off, the blades can still move.
6. Replace worn or damaged parts for safety. Use only genuine replacement parts and accessories.
7. **DO NOT** attempt to open the charger and battery pack. There are no customer serviceable parts inside. Return to any authorised service centre.
8. Store the appliance with battery pack fully charged at room temperature (around 20°C).

## PRODUCT SAFETY WARNINGS

9. Every deep discharge cycle decreases the capacity of battery pack. To prolong battery life, it is recommended that you charge the battery every six months within extended periods of time when the product is not in use.

### Servicing

1. Have your tool repaired by an authorised service agent. This tool is manufactured in accordance with the relevant safety regulations. To avoid danger, equipment must only be repaired by qualified technicians.
2. Only use parts and accessories made for this machine by the manufacturer. Failure to do so can result in personal injury.

## SYMBOLS

### Safety symbols

The purpose of safety symbols is to attract your attention to any possible dangers. The safety symbols and their explanations deserve your careful attention and full understanding. The symbol warnings do not, by themselves, eliminate any danger. The instructions and warnings they give are no substitute for proper accident prevention measures.



**WARNING:** Be sure to read and understand all safety instructions within this operator's manual, including all safety alert symbols such as "**DANGER**", "**WARNING**", and "**CAUTION**" before using this tool. Failure to follow all instructions listed below may result in electric shock, fire and/or serious personal injury.

**SAFETY ALERT SYMBOLS:** Indicate **DANGER**, **WARNING**, or **CAUTION**. May be used in conjunction with other symbols or pictographs.

### Symbol meanings

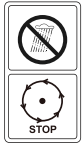
This page depicts and describes safety symbols that may appear on this product. Read, fully understand and follow all instructions on the machine before attempting to assemble and operate.



## SYMBOLS



To reduce the risk of injury, user must read instruction manual carefully.



Avoid using tool in the rain.  
Wait until all machine components have completely stopped before touching them.



Keep bystanders away. Objects thrown by the product could hit the user or other bystanders. Always ensure that other people and pets remain at a safe distance from the product when it is in operation.



Beware of sharp blades. Blades continue to rotate after the motor is switched off. Remove disabling device before performing any maintenance tasks.



Guaranteed sound power level value is 96 dB



Wear ear protection, eye protection and gloves when using the product.



WEEE symbol. Waste electrical products should not be disposed of with household waste. Please recycle where facilities exist. Check with your local authority or local store for recycling guidelines.

## SYMBOLS



The product complies with the applicable European directives and an evaluation method of conformity for these directives was done.

### Warning symbols on the battery pack



To reduce the risk of injury, user must read instruction manual carefully.



Do not throw into water.



Do not throw on fire.



Do not subject the battery to strong sunlight over long periods of time. Do not leave on a heater (max.45°C).



Batteries contain Li-ion. Do not dispose of waste batteries in domestic waste. Contact local authority to find out how to dispose of batteries.




WEEE symbol. Waste electrical products should not be disposed of with household waste. Please recycle where facilities exist. Check with your local authority or local store for recycling guidelines.




The product complies with the applicable European directives and an evaluation method of conformity for these directives was done.

## SYMBOLS

### Warning symbols on the charger


 To reduce the risk of injury, user must read instruction manual carefully.


 The charger is for indoor use only.

 Double insulation





T3.15A  
 Protective 3.15A limited

 Pole orientation.

 WEEE symbol. Waste electrical products should not be disposed of with household waste. Please recycle where facilities exist. Check with your Local Authority or local store for recycling advice.

 The product complies with the applicable European directives and an evaluation method of conformity for these directives was done.

## TECHNICAL DATA

Mower Type		LM G32
Nominal voltage of product with battery		40V d.c. /2.5Ah Li-ion
No-load cutting speed		3500 min <sup>-1</sup>
Cutting width		32 cm
Cutting height		25-75mm, 7 positions
Capacity of grass bag		30 l
Weight		9.5 kg
Measured sound pressure level(L <sub>pA</sub> )		75.6dB(A), K=3 dB(A)
Guaranteed sound power level		96 dB(A)
Vibrations		1.68 m/s <sup>2</sup> K=1.5 m/s <sup>2</sup> *
<b>Battery pack Model</b>		<b>B0P-SP02-36</b>
Battery capacity		2.5Ah
Battery charging time Max.		1.5hr
<b>Battery charger Model</b>		<b>B0Q-SP02-36</b>
Input		220-240V AC, 50/60Hz 100W
Output		DC 40V, 2.0A
Protection class		II

The sound values have been determined according to noise test code given in EN 60335-2-77, using the basic standards EN ISO 11201 and EN ISO 3744.

The sound intensity level for the operator may exceed 80 dB(A) and ear protection measures are necessary.

The declared vibration value has been measured in accordance with a standard test method (according to EN 60335-2-77) and may be used for comparing one product with another. The declared vibration value may also be used in a preliminary assessment of exposure.



**WARNING:** Depending on the actual use of the product the vibration values can differ from the declared total!  
Adopt proper measures to protect yourself against vibration exposure! Take the whole work process including times the product is running under no load or switched off into consideration!

## DESCRIPTION OF PRODUCT

### Parts description (Fig. A)

1. Upper handle
2. Switch box
3. Cable clip
4. Grass bag
5. Roller
6. Cutting height adjustment lever
7. Carry handle
8. Battery pack locating tank
9. Rotating knob
10. Switch lever

### Check the delivery parts (Fig. B)

Remove the machine from its packaging carefully and make sure that all of the following parts are present:

- A. Lawnmower with upper handle
- B. Lower brace
- C. Grass bag
- D. Rotating knob x2
- E. Installation screw x2
- F. Cable clip x2
- G. Manual
- H. Battery pack
- I. Charger



**WARNING:** If any parts are damaged or missing, do not operate this tool until these parts have been replaced. Failure to heed this warning could result in serious personal injury.



**NOTE:** Always recycle the packaging in accordance with local recycling guidelines.

## INSTALLATION

### Assemble the lower brace (Fig. C)

1. Attach the lower brace to the deck.
2. Use two installation screws to fix the lower brace.

### Attach the top handle to lower brace (Fig. D)

Mount the top handle to the lower brace by using the two rotating knobs.

### Fitting the cable clip (Fig. E)

Ensure that the cable clips supplied are used to fix the cable to the lower brace.

### Attach the grass bag

Attach the grass bag to the frame by fixing the plastic hooks onto the side (Fig. F)

Lift the safety flap with one hand and hook in the grass bag. Release the ejector flap to secure the grass bag in position. (Fig. G)

## OPERATION



**NOTE:** This battery pack has been shipped in a low charge condition. It should be fully charged before first use. Make sure the mains voltage is the same as rating label which is located on the charger.



**WARNING:** The charger and battery pack are specifically designed to work together so do not attempt to use any other devices. Never insert or allow metallic objects into your charger or battery pack connections because an electrical failure and hazard will occur. The battery needs to be fully charged before first use and whenever it fails to produce sufficient power on jobs that were easily done before.

This product comes with a lithium-ion battery pack. The lithium-ion battery will not lose charge when not in use and will not lose charging capacity over time, however to maintain optimum battery life it is recommended to charge the battery when empty or running low.

### Connecting the charger to mains

1. Plug the charger into an appropriate power supply. The LED lights green to tell you that the charger is ready for use.
2. To insert the battery pack into the charger, align the battery pack with the corresponding receptacle on the charger, push the battery pack downward until it has been locked in place.
3. The battery pack will be fully charged 90 minutes and the green LED will light up to let you know that the battery is fully charged.

### Important charging notes

Longest life and best performance can be obtained if the battery pack is charged when the air temperature is between 18-24°C. Do not charge the battery pack in a very low or very high air temperature. This is important and will prevent serious damage to the battery pack.

- When using your tool continuously, the batteries in your battery pack will become hot. You should let a hot battery pack cool down for approximately 30 minutes before attempting to recharge.
- The charger and battery pack may become warm to touch while charging. This is normal, and does not indicate a problem.
- Use the charger in normal room temperature whenever possible. To prevent overheating, do not cover the charger and do not charge battery packs in direct sunlight or near heat sources.
- If the battery pack does not charge properly:
  1. Check the main socket by plugging in a lamp or other appliance.
  2. Move the charger and battery pack to a location where the surrounding air temperature is approximately 18-24°C.
  3. If charging problems persist, contact your local service center.
- The battery pack should be recharged when it fails to produce sufficient power on jobs which were easily done previously. **DO NOT CONTINUE** to use under these conditions.
- Follow the charging procedure. You may also charge a partially used pack whenever you desire with no adverse effect on the battery pack.
- Under certain conditions, with the charger plugged in to the power supply, the exposed charging contacts inside the charger can be shorted by foreign material. Foreign materials of a conductive nature such as, but not limited to, steel wool, aluminum foil, or any buildup of metallic particles should be kept away from charger cavities. Always

## OPERATION

unplug the charger from the power supply when there is no battery pack in the cavity. Unplug charger before attempting to clean.

- Do not immerse charger in water or any other liquid.



**WARNING:** Do not allow any liquid to get inside charger. This will increase the risk of electric shock. To facilitate the cooling of the battery pack after use, avoid placing the charger or battery pack in a warm environment such as in a metal shed or an un-insulated trailer.



**CAUTION:** Never attempt to open the battery pack for any reason. If the plastic housing of the battery pack breaks or cracks, return to a service center to be recycled; do not continue to use.

### Checking the battery capacity (Fig. H)

Push the power indicator button, the remaining percentage of battery capacity will show on screen.

### Setting cutting height (Fig. I)

If you wish to change the cutting height, push the adjusting lever first to make it out of the tooth and then push the lever to the desired position.



**WARNING:**  
Never operate the adjusting handle roughly.

### Removing and inserting the battery pack

#### Insert the battery pack. (Fig. J)

Align the battery pack with its compartment of the tool. Push the battery pack into the tank until you hear a click. This means the battery pack has been locked in position, then close the battery pack tank cover.

#### Removing the battery pack from the tool (Fig. K)

Open the battery pack tank cover. Pull the battery pack release button, the battery pack will come out automatically.

#### NOTE: Safety-Key (Fig. L)

This lawnmower is fitted with a safety key; this prevents the accidental start up of your cordless lawnmower.

The safety key has been designed to totally disable the lawnmower when it is removed.

## OPERATION

### Switching on and off (Fig. M)

#### Switch on:

1. Press and hold the safety button on the side of the switch box with one hand.
2. Pull the switch bar towards the handle and hold it with the other hand.

#### Switch off:

Release the switch bar.



**NOTE:** Do not continue to press the start button after an automatic shut-off of the machine, this will lead to battery damage.



**WARNING:** When the motor has been switched off, the blade will continue to run for several seconds. Do not touch the underside of the mower until the cutter has come to a complete standstill!

### Operating the lawnmower

#### Operating on a slope:

Slopes increase the risk of slip-and-fall accidents, which can result in severe injury. Always be sure of your footing on slopes. Operation on slopes requires extra caution. If you feel uneasy on a slope, do not mow it.

#### Do:

- Mow across the face of slopes, never mow up and down. Exercise extreme caution when changing direction on slopes.
- Watch for holes, ruts, rocks, hidden objects or bumps which could cause you to slip or trip. Tall grass can hide obstacles.

#### Do not:

- Do not mow near drop-offs, ditches or embankments; you could lose your footing or balance.
- Do not mow slopes greater than 15 degrees.
- Do not mow on wet grass. Unstable footing could cause you to slip.

### Mower overload protection

To prevent overload conditions, do not try to cut too much grass at one time. Slow down your cutting pace or raise the cut height. Your mower has built-in overload circuit protection. When the mower is overloaded, the motor will stop. Switch the mower off and check to see if grass has collected beneath the deck and clear it if necessary, then restart the mower.

### Function of full indicator (Fig. N)

If the grass bag is empty or it is not filled with grass, the grass full indicator will be open. If the grass bag is filled with grass the grass full indicator will be closed.

## OPERATION

### Emptying the grass bag

As soon as the grass bag indicator closes while you are mowing this means that it is time to empty the grass bag.



**NOTE:** Before taking off the grass bag, switch off the engine and wait until the blade has come to a complete stop.

To take off the grass bag, use one hand to lift up safety flap and the other to grab onto the carry handle. The safety flap automatically falls down after removing the grass bag and closes off the rear chute opening.

Empty out the grass bag then refit to machine.



**NOTE:** If any grass residue is caught in the discharge chute, clean it using a brush. Do not remove grass debris in the mower casing or on the blade by hand or with your feet. Instead use suitable tools such as a brush or broom. To ensure that the cut grass can be collected into grass bag, the discharge opening and inside the mower casing must be cleared of any blockages.

## MAINTENANCE AND STORAGE



**WARNING:** Before performing any maintenance or cleaning work, always ensure that the battery pack/safety key has been removed. Wait until the blade has stopped completely and the machine has cooled down.

### Cleaning

#### Cleaning the product

- Use a soft brush to remove accumulated dust and debris. Wear safety glasses to protect your eyes whilst cleaning.
- Wipe down the product enclosure with a slightly damp cloth. Do not spray the unit with water. Water may destroy the switch unit and the electric motor.

### Maintenance

**NOTE:** Always wear gardening gloves when handling or working near sharp blades.

1. Keep all nuts, bolts and screws tight to ensure that the machine is in a safe working condition.
2. Check the grass bag frequently for wear or deterioration.
3. Examine the machine and replace worn or damaged parts for safety.

#### Removing/Installing the blade (Fig. O)

1. Use the correct size wrench to uninstall the blade bolt nut.
2. Wearing heavy gloves hold the blade still and turn the wrench anti-clockwise to remove the bolt.
3. Fit the replacement blade correctly with marking facing up and align pegs, refit the bolt and retighten securely to torque 20N.m.



**WARNING:** Replace or re-sharpen the mowing blade at the end of the mowing season. Always have the mowing blade re-sharpened or replaced by a recommended Yard Force service centre. Unbalanced blades will cause the lawn mower to vibrate violently which can increase the risk of accidents occurring.

#### Battery maintenance:

Use the following procedures to achieve the best battery life:

1. Protect the battery against moisture and water.
2. Store the battery only within temperature range of 5 °C to 45 °C. Do not leave the battery in direct sunlight for extended periods of time.
3. Clean the battery regularly with a soft, clean and dry brush.
4. If you do not use the product for a long time, remember to charge and discharge the battery pack once every 6 months.

## MAINTENANCE AND STORAGE

### Storage and transport

#### Storage

After cleaning the unit thoroughly, store mower in a dry room and allow the motor to cool down.

**NOTE:** Remove the safety key and battery packs. Ensure cables are not trapped when folding/unfolding the handle. If stored vertically make sure the mower is positioned in a corner so that the blade is facing inwards against a wall and the machine is secure to prevent it falling over.

#### Transport

Use the original packaging to ship whenever possible.

## TROUBLESHOOTING



**WARNING:** Before performing any repair work, always ensure that the battery pack has been removed.



**WARNING:** Always wear heavy duty gloves when adjusting or cleaning, especially when handling sharp objects.

Fault/malfunction	Cause	Remedy
Mower fails to start	Safety key is not inserted	Insert safety key
	Battery is not correctly inserted	Remove the battery and reinsert
	Mower standing in high grass	Start motor on shorter grass or already mowed area, change cutting height if necessary
	The mower housing is clogged	Clean housing so that the blade can move freely
	Battery has no power	Check and recharge battery
Mower stops working /loses power	Cutting height is incorrect	Adjust the cutting height
	Cutting blade is worn or damaged	Replace with new blade from dealer service centre
Grass bag is not filled sufficiently	Battery performance decreasing	Check the battery performance and charge it if necessary
	Cutting height is too low	Adjust and increase cutting height
	The lawn / grass is wet	Allow the lawn to dry
	Underside of the mower deck is clogged.	Clean the underside of the mower deck
Mower vibrating at higher speed	Cutting blade is worn or damaged.	Replace it by contacting the customer service centre
	Cutting blade is unbalanced	Balance the blade by grinding each cutting edge until equal
Mower cuts unevenly	Blade is loosened /incorrectly fitted	Tighten the blade bolt
	The blade is damaged.	Sharpen the blade or replace.
	Blade is assembled incorrectly.	Re-assemble blade correctly.

## CE DECLARATION

### Declaration of Conformity

**We**  
**Sumec UK**  
**Unit A&B Escrick Business Park Escrick, York YO19 6FD**  
**Declare that the product:**  
 Description: 40V CORDLESS LAWNMOWER  
 Y0J-SP01-3236  
 LM G32  
 Function: Cutting grass

**Complies with the essential health and safety requirements of the following directives:**

Machinery Directive 2006/42/EC  
 Electromagnetic Compatibility Directive 2004/108/EC  
 RoHS Directive 2011/65/EU  
 Noise Emission in the Environment by Equipment for Use Outdoors Directive 2000/14/EC amended by 2005/88/EC  
 Conformity Assessment Procedure as Per Annex VI  
 Measured Sound Power Level: 89.58 dB (A)  
 Declared Guaranteed Sound Power Level: 96 dB (A)

**Standards and technical specification referred to :**

EN 55014-1:2006+A1+A2  
 EN 55014-2:1997+A1+A2  
 EN 55014-2:2015  
 EN 61000-3-2:2014  
 EN 61000-3-3:2013  
 EN 60335-1:2012+A11  
 EN 60335-2-77:2010  
 EN 60335-2-29:2004+A2  
 EN62233:2008  
 EN 50581:2012

Authorized Signatory

Date: 11.10.2017

Signature: \_\_\_\_\_

Place: York

Name: Mariana Hall

General Manager



SUMEC UK Co.,Ltd.  
 Unit A&B Escrick Business Park  
 Escrick, York YO19 6FD