



YARD FORCE®

LAWN & GARDEN EQUIPMENT

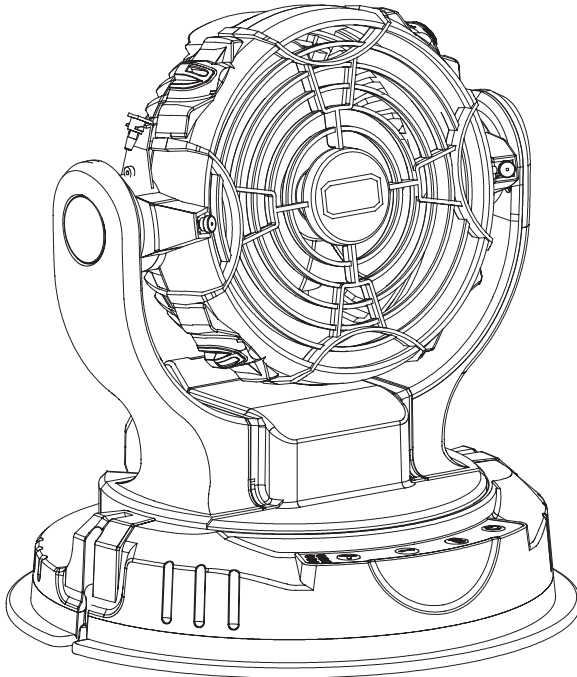
LF C36

Q0F-SP01-42AC

GB

20V MISTING FAN

Original Instructions

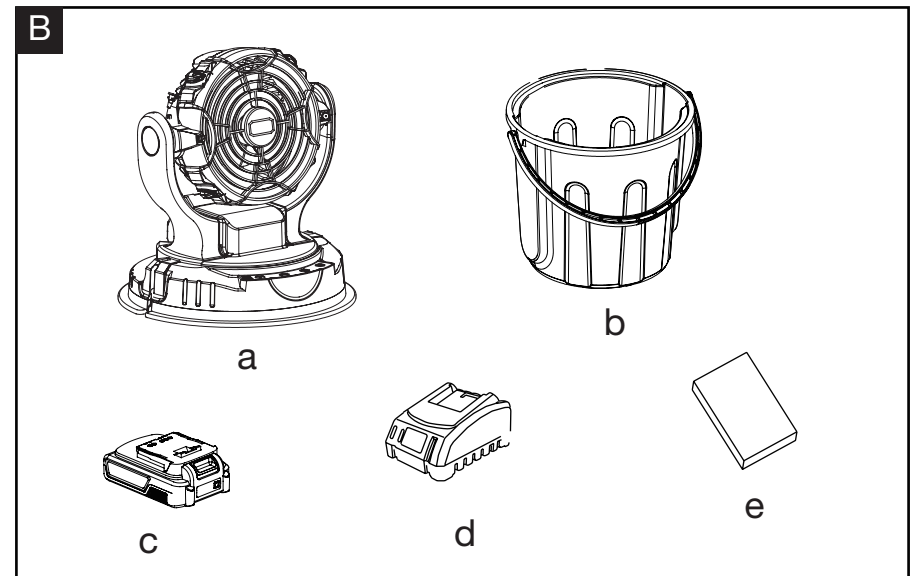
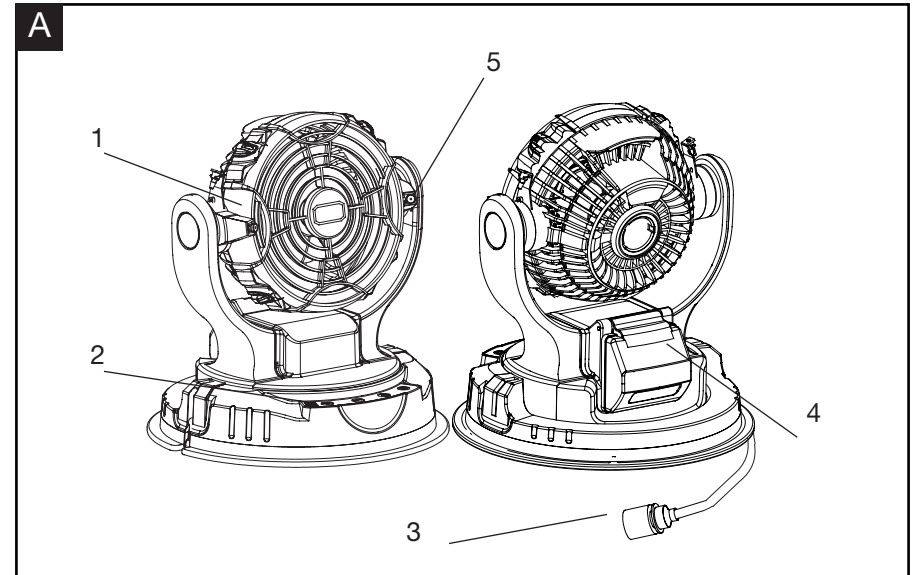


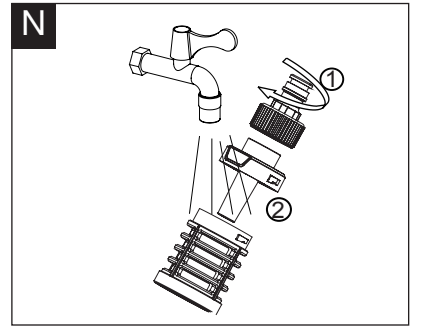
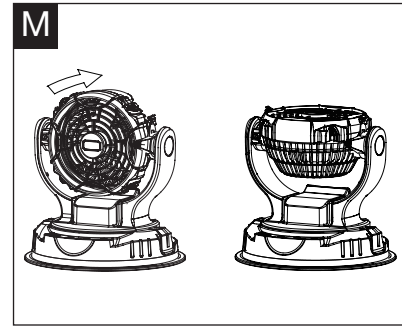
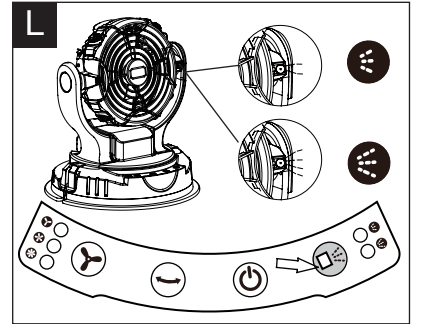
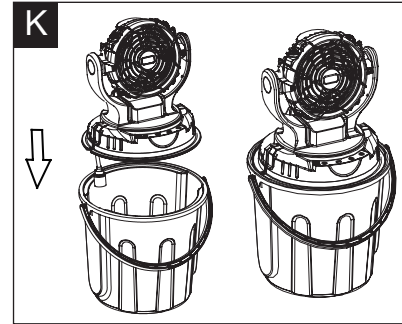
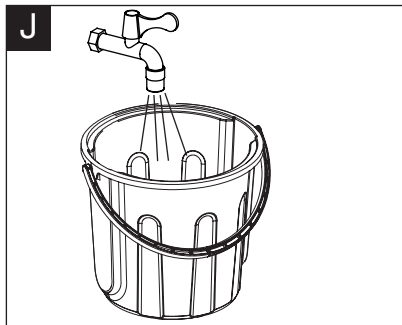
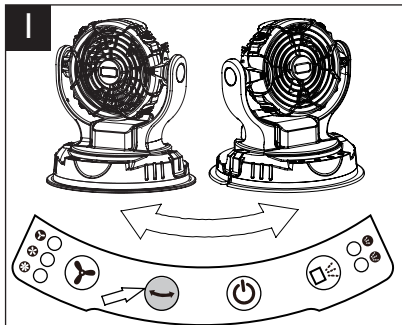
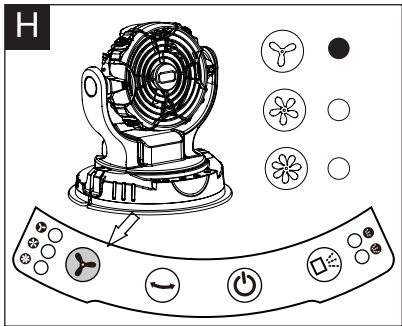
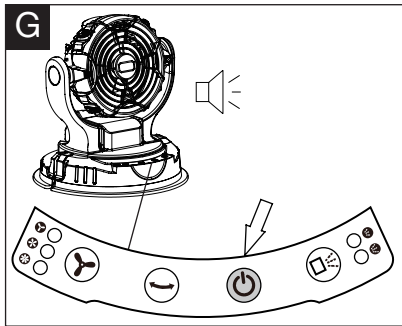
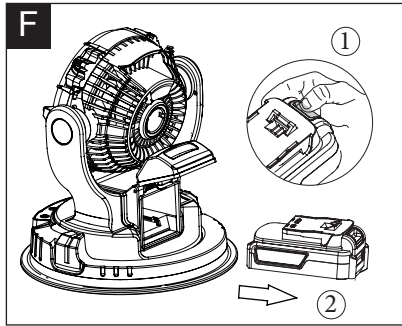
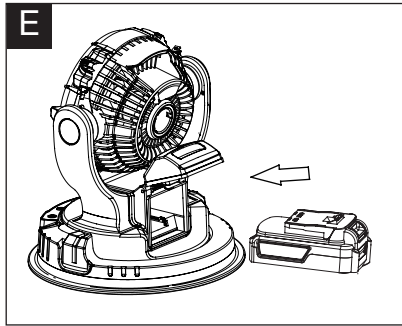
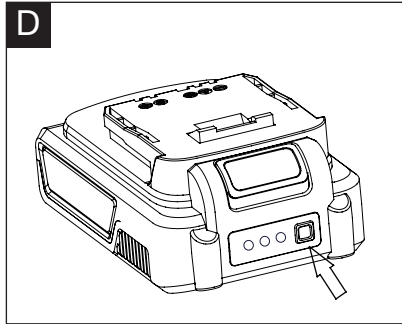
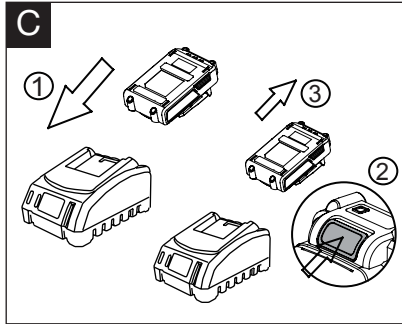
READ & UNDERSTAND INSTRUCTION MANUAL

Save all warnings and instructions for future reference.



Read this manual carefully prior to assembling and operating the product. It is dangerous to operate this product without being familiar with these instructions. Keep this manual in a safe place and have it ready for future reference.





CONTENT

Intended use	07
General safety warnings	07
Product safety warnings	15
Symbols	19
Technical data	23
Description of product	24
Operation	25
Maintenance and storage	27
Troubleshooting	27
CE declaration	28

INTENDED USE

The Misting fan is intended for:

- Outdoor cooling with use of water bucket
- Indoor cooling without use of water bucket (Fan only)

Never attempt to modify the misting fan in any way.

The machine is to be used only for its described purpose. Any other use is deemed to be a case of misuse. The user/operator and not the manufacturer will be liable for any damage or injuries of any kind caused as a result of this.

GENERAL SAFETY WARNINGS

WARNING: Read all safety warnings and instructions. Failure to follow the warnings and instructions may result in electric shock, fire and/or serious injury.

Save all warnings and instructions for future reference.

The term “power tool” in the warnings refers to your mains-operated (corded) power tool or battery-operated (cordless) power tool.

WORK AREA SAFETY

1. Keep work area clean and well lit. Cluttered or dark areas invite accidents.
2. Do not operate power tools in explosive atmospheres, such as in the presence of flammable liquids, petrol or dust. Power tools create sparks which may ignite the dust or fumes.
3. Keep children and bystanders away while operating a power tool. Distractions can cause you to lose control.

GENERAL SAFETY WARNINGS

ELECTRICAL SAFETY

1. Power tool plugs must match the outlet. Never modify the plug in any way. Do not use any adaptor plugs with earthed (grounded) power tools. Unmodified plugs and matching outlets will reduce risk of electric shock.
2. Avoid body contact with earthed or grounded surfaces, such as pipes, radiators, ranges and refrigerators. There is an increased risk of electric shock if your body is earthed or grounded.
3. Do not expose power tools to rain or wet conditions. Water entering a power tool will increase the risk of electric shock.
4. Do not abuse the cord. Never use the cord for carrying, pulling or unplugging the power tool. Keep cord away from heat, oil, sharp edges or moving parts. Damaged or entangled cords increase the risk of electric shock.
5. When operating a power tool outdoors, use an extension cord suitable for outdoor use. Use of a cord suitable for outdoor use reduces the risk of electric shock.
6. If operating a power tool in a damp location is unavoidable, use a Ground-fault circuit interrupter protected supply. Use of GFCI reduces the risk of electric shock.

GENERAL SAFETY WARNINGS

PERSONAL SAFETY

1. Stay alert, watch what you are doing and use common sense when operating a power tool. Do not use a power tool while you are tired or under the influence of drugs, alcohol, or medication. A moment of inattention while operating power tools may result in serious personal injury.
2. Prevent unintentional starting. Ensure the switch is in the off-position before connecting to power source and/or battery pack, picking up or carrying the tool. Carrying power tools with your finger on the switch or energizing power tools that have the switch on invites accidents.
3. Remove any adjusting key or wrench before turning the power tool on. A wrench or a key left attached to a rotating part of the power tool may result in personal injury.
4. Do not overreach. Keep proper footing and balance at all times. This enables better control of the power tool in unexpected situations.
5. Dress properly. Do not wear loose clothing or jewelry. Keep your hair, clothing and gloves away from moving parts. Loose clothes, jewelry or long hair can be caught in moving parts.
6. If devices are provided for the connection of dust extraction and collection facilities, ensure these are connected and properly used. Use of dust devices can reduce dust-related hazards.

GENERAL SAFETY WARNINGS

TOOL USE AND CARE

1. Do not force the power tool. Use the correct power tool for your application. The correct power tool will do the job better and safer at the rate for which it was designed.
2. Do not use the power tool if the switch does not turn it on and off. Any power tool that cannot be controlled with the switch is dangerous and must be repaired.
3. Disconnect the plug from the power source and/ or the battery pack from the power tool before making any adjustments, changing accessories, or storing power tools. Such preventive safety measures reduce the risk of starting the power tool accidentally.
4. Store idle power tools out of the reach of children and do not allow persons unfamiliar with the power tool or these instructions to operate the power tool. Power tools are dangerous in the hands of untrained users.
5. Maintain power tools. Check for misalignment or binding of moving parts, breakage of parts and any other condition that may affect the power tool's operation. If damaged, have the power tool repaired before use. Many accidents are caused by poorly maintained power tools.
6. Use the power tool, accessories and tool bits etc. in accordance with these instructions, taking into account the working conditions and the work to be performed. Use of the power tool for operations different from those intended could result in a hazardous situation.

GENERAL SAFETY WARNINGS

BATTERY TOOL USE AND CARE

1. Recharge only with the charger specified by the manufacturer. A charger that is suitable for one type of battery pack may create a risk of fire when used with another battery pack.
2. Use power tools only with specifically designated battery packs. Use of any other battery packs may create a risk of injury and fire.
3. When battery pack is not in use, keep it away from other metal objects, like paper clips, coins, keys, nails, screws or other small metal objects that can make a connection from one terminal to another. Shorting the battery terminals together may cause burns or a fire.
4. Under abusive conditions, liquid may be ejected from the battery; avoid contact. If contact accidentally occurs, flush with water. If liquid contacts eyes, additionally seek medical help. Liquid ejected from the battery may cause irritation or burns.

CHARGER

1. Recharge only with the charger specified by the manufacturer. Do not use the original charger on other li-ion batteries or on any other type of battery as this can increase the risk of fire or explosion.
2. Check the battery charger, cable and plug before each use. Do not use the battery charger if damaged. Do not open the battery charger yourself; charger

GENERAL SAFETY WARNINGS

- must be repaired by qualified personnel using original spare parts.
3. The charger is designed to use a standard household 220-240 V~ 50Hz power source, ensure that the plug matches the outlet.
 4. Never modify the plug in any way, this will reduce the risk of electric shock.
 5. Do not abuse the cord of charger. Never use the cord for carrying, pulling or unplugging the charger. Keep cord away from heat, oil, sharp edges or moving parts. Damaged or entangled cords increase the risk of electric shock.
 6. Make sure the charger cord is situated so that it will not be stepped on, tripped over or get damaged.
 7. Keep the battery charger clean. Contamination can increase the risk of electric shock.
 8. Protect the battery charger from rain and moisture. If water accesses the battery charger there is an increased risk of electric shock.
 9. Battery will heat up whilst charging. To reduce the risk of fire, do not operate battery charger on flammable surfaces such as paper or textiles.
 10. The temperature range over which the battery pack can be charged is typically between 5°C-45 °C. Attempts to charge out with the prescribed temperature range may automatically be blocked by the protection circuitry of the battery pack. Longest life and best performance can be obtained if the battery pack is charged at room temperature.

GENERAL SAFETY WARNINGS

11. Disconnect charger from the power supply when not in use. This will reduce the risk of electric shock or damage to the charger.

SERVICE

Have your power tool serviced by a qualified repair person using only identical replacement parts. This will ensure that the safety of the power tool is maintained.

TRAINING

1. Read the instructions carefully. Be familiar with the controls and the proper use of the appliance.
2. Never allow children, persons with reduced physical, sensory or mental capabilities or lack of experience and knowledge or people unfamiliar with these instructions to use the machine.
3. Never allow people unfamiliar with these instructions to use the appliance. Local regulations may restrict the age of the operator.
4. Never operate the appliance while people, especially children, or pets are nearby.
5. The operator or user is responsible for accidents or hazards occurring to other people or their property.

PREPARATION

1. While operating the appliance, always wear substantial footwear and long trousers.
2. Do not wear loose clothing or jewellery that can be drawn into the air inlet. Keep long hair away from the air inlets.

GENERAL SAFETY WARNINGS

3. Before using, check the batteries or battery packs for damage. Do not use the appliance if the batteries or battery pack is damaged.
4. Never operate the appliance with defective guards or shields, or without safety devices, for example debris collector in place.

MAINTENANCE AND STORAGE

1. Keep all nuts, bolts and screws tight to be sure the appliance is in safe working condition.
2. Replace worn or damaged parts.
3. Use only genuine replacement parts and accessories
4. Store the appliance only in a dry place.

SERVICE

1. Have your power tool serviced by a qualified repair person using only identical replacement parts. This will ensure that the safety of the power tool is maintained.

PRODUCT SAFETY WARNINGS

PRODUCT SAFETY

1. Know your tool. Read operator's manual carefully. Learn its applications and limitations, as well as the specific potential hazards related to this tool. Following these rules will reduce the risk of electric shock, fire, or serious injury.
2. Do not disassemble the product.
3. Do not attempt to modify this product or create accessories not recommended for use with this product. Any such alteration or modification is misuse and could result in a hazardous condition leading to possible serious personal injury.
4. Do not use this product if it is not completely assembled or if any parts appear to be missing or damaged. Use of a product that is not properly and completely assembled could result in serious personal injury.
5. During indoor use, fan only, do not use the fan with misting function.
6. Do not use this product to exhaust hazardous or explosive materials and vapors. It is intended for general ventilating use only.
7. Do not open or modify the product, otherwise the warranty will be voided.
8. Children can fall into buckets and drown. Keep children away from buckets with even a small amount of liquid.
9. To reduce the risk of injury, close supervision is necessary when a product is used near children.

PRODUCT SAFETY WARNINGS

10. Do not allow children to operate this product. It is not a toy.
11. Exercise caution to avoid slipping or falling.
12. Never leave product running unattended. Turn hose faucet completely off and remove battery pack. Do not leave product until spray comes to a complete stop.
13. Never direct mist or water toward any electrical wiring or devices.
14. Ensure that all hoses and accessories are properly connected before using the product.
15. Only use clean, cold water.
16. Do not use this misting fan to spray pesticides, liquid fertilizers, chemicals, or any liquids other than clean water. Spraying these substances could result in serious injury or illness to the operator or bystanders.
17. Make sure hose and mist tube are located so that they will not be stepped on, tripped over, come in contact with sharp edges or moving parts or otherwise subjected to damage or stress. This will reduce the risk of accidental falls, which could cause injury, and damage to the hose and mist tube which could prevent the product from working properly.
18. Use caution when positioning the product for use. Never place the unit near electrical outlets or switches.
19. Check hoses and parts for signs of damage. Replace any damaged hoses or parts.
20. Verify that all connections are secure before operating the unit.

PRODUCT SAFETY WARNINGS

21. Use caution when using in windy conditions. Winds may carry mists into electrical wiring or devices.
22. Do not kink or overbend the hose or mist tube.
23. Be careful not to spill water when filling water bucket. Ensure all hose connections are secure before using misting fan. Spilled water and leaks can result in a slippery surface and create a slip and fall hazard.
24. To reduce the risk of personal injury and electric shock, the portable fan should not be played with or placed where small children can reach it.
25. Ensure battery compartment cover is completely closed to prevent water from contacting battery or entering battery port.
26. Battery tools do not have to be plugged into an electrical outlet; therefore, they are always in operating condition. Be aware of possible hazards when not using your battery tool or when changing accessories. Following this rule will reduce the risk of electric shock, fire, or serious personal injury.
27. Do not place battery tools or their batteries near fire or heat. Following this rule will reduce the risk of explosion and possibly injury.
28. Never use a battery that has been dropped or received a sharp blow. A damaged battery is subject to explosion. Properly dispose of a dropped or damaged battery immediately.
29. Batteries can explode in the presence of a source of ignition, such as a pilot light. To reduce the risk of serious personal injury, never use any cordless

PRODUCT SAFETY WARNINGS

product in the presence of open flame. An exploded battery can propel debris and chemicals. If exposed, flush with water immediately.

30. Do not charge battery tool in a damp or wet location. Following this rule will reduce the risk of electric shock.
31. Do not expose the product to rain. Water entering the product will increase the risk of electric shock or malfunction.
32. For best results, your battery tool should be charged in a location where the temperature is more than 10°C (50°F) but less than 38°C (100°F). Do not store outside or in vehicles.
33. Under extreme usage or temperature conditions, battery leakage may occur. If liquid comes in contact with your skin, wash immediately with soap and water, then neutralize with lemon juice or vinegar. If liquid gets into your eyes, flush them with clean water for at least 10 minutes, then seek immediate medical attention. Following this rule will reduce the risk of serious personal injury.
34. Keep the product dry, clean and free from oil and grease. Always use a clean cloth when cleaning.
35. Save these instructions. Refer to them frequently and use them to instruct others who may use this tool. If you loan someone this tool, loan them these instructions also to prevent misuse of the product and possible injury.

SYMBOLS

Safety symbols

The purpose of safety symbols is to attract your attention to possible dangers. The safety symbols and the explanations with them require your careful attention and full understanding. The symbol warnings do not, by themselves, eliminate any danger. The instructions and warnings they give are no substitutes for proper accident prevention measures.

WARNING: Be sure to read and understand all safety instructions in this operators manual, including all safety alert symbols such as “**DANGER**,” “**WARNING**,” and “**CAUTION**” before using this tool. Failure to follow all instructions listed below may result in electric shock, fire and/or serious personal injury.

SAFETY ALERT SYMBOL: Indicates **DANGER**, **WARNING**, or **CAUTION**. May be used in conjunction with other symbols or pictographs.

Symbol meaning

This page depicts and describes safety symbols that may appear on this product. Read, understand and follow all instructions on the machine before attempting to assemble and operate.

SYMBOLS



Read the operating instructions before use!



Be careful when handling the device! Observe all safety instructions in the instructions manual!



Don't expose to rain.



Improper hose connections and/ or leaks can result in a slip and fall hazard.



Contact with moving fan blades can cause serious personal injury.



Failure to keep long hair away from air inlet could result in personal injury.



Waste electrical products should not be disposed of with household waste. Please recycle where facilities exist. Check with your local authority or retailer for recycling advice.

SYMBOLS

Warning symbols on the battery pack



To reduce the risk of injury, user must read the instruction manual carefully.



Do not throw into water.



Do not throw to fire.



Do not subject the battery to strong sunlight over long periods of time. Do not leave on a heater (max.45°C).



Batteries contain Li-ion. Do not dispose of waste batteries in domestic waste. Contact local authority to find out how to dispose of batteries.



WEEE symbol. Waste electrical products should not be disposed of with household waste. Please recycle where facilities exist. Check with your Local Authority or local store for recycling advice.

SYMBOLS

Warning symbols on the charger



To reduce the risk of injury, user must read the instruction manual carefully.

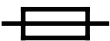


The charger is for indoor use only.



Double insulation

T3.15A



Protective 3.15 A limited



WEEE symbol. Waste electrical products should not be disposed of with household waste. Please recycle where facilities exist. Check with your Local Authority or local store for recycling advice.



The product complies with the applicable European directives and an evaluation method of conformity for these directives was done.

TECHNICAL DATA

Model		LF C36
Mains voltage		20 V $\overline{\text{---}}$
Air Velocity		1.8/ 3.3/ 5.4 m/s
Water flow		3/ 4.2 L/H
Water tank		23 L
Recommended Bucket diameter		ϕ 360mm x 330mm
Weight		4.9 kg
Battery pack Model		B0P-SP06-20-D
Battery capacity		20V $\overline{\text{---}}$, 2.0Ah 40Wh
Battery charger Model		B0Q-SP06-20ZA / B0Q-SP06-20ZB
Input		220-240 V \sim , 50/60 Hz 65 W
Output		20 V $\overline{\text{---}}$, 2.4 A

The declared vibration total value has been measured in accordance with a standard test method and may be used for comparing one tool with another;

The declared vibration total value may also be used in a preliminary assessment of exposure.

NOTE: The vibration emission during actual use of the power tool can differ from the declared value in which the tool is used; In order to protect the operator, user should wear gloves and ear protectors in the actual conditions of use.

DESCRIPTION OF PRODUCT

Parts description (Fig. A)

1. Fan
2. Control panel
3. Water filter
4. Battery pack tank
5. Misting nozzles

Delivery contents (Fig. B)

Carefully unpack the appliance and check that it is complete. Dispose of the packaging material correctly.

- a. 20V mister fan
- b. Water bucket
- c. Battery pack
- d. Charger
- e. Instruction book



WARNING: If any parts are damaged or missing, do not operate this tool until these parts are replaced. Failure to heed this warning could result in serious personal injury.



NOTE: Always recycle the packaging in accordance with local recycling guidelines.

OPERATION

Charging the battery pack

NOTE: Remove the battery pack from the charger after it has been fully charged.

NOTE: Battery should be fully charged before first use.

NOTE: Make sure the mains voltage is the same as rating label which is located on the charger.

1. Connect the charger to a power supply. Red LED will light up.
2. To insert the battery pack into the charger, align the raised ribs of the battery pack with the grooves of the charger then push it in. (Fig. C)
3. The red LED light of the charger will light up and then the green light flashes during normal charging.
4. After charging is complete, the charger light will turn to a solid green light.
5. Once the battery is fully charged, depress the battery release button and then remove the battery pack. (Fig. C)

Power indicator (Fig. D)

This Li-Ion battery pack is equipped with a power indicator which is used to show the battery pack's remaining charge. Press the power indicator button to check battery charge as picture showed. The indicator will stay lit for approximately 4 seconds.

To obtain the best life from the battery

1. Never allow the battery to completely discharge before recharging. The battery pack should be placed on the charger whenever the battery pack is noticeably running down or the tool no longer performs a task it previously performed.
2. Avoid conducting short charges. Make sure that the battery is fully charged each time by allowing the charger to complete its full charging cycle.
3. Avoid allowing loose items like screws or nails etc. to be stored with battery packs as these or similar items can short battery packs and cause a fire or explosion.
4. Always unplug the charger when not in use and store in a dry and secure place.
5. Avoid charging or storing your battery in temperatures below 5°C and above 45°C.
6. After use, allow the battery pack to cool down for approximately 30 minutes before attempting to recharge.

WARNING: Do not allow familiarity with tools to make you careless. Remember that a careless fraction of a second is sufficient to inflict serious injury.

WARNING: Do not use any attachments or accessories not recommended by the manufacturer of this tool. The use of attachments or accessories not recommended can result in serious personal injury.

WARNING: Keep water and mist discharge pointed away from all electrical devices to reduce the risk of electrocution or electric shock.

WARNING: Ensure all hose connections are secure before using misting fan. Spilled water and leaks can result in a slippery surface and create a slip and fall hazard.

WARNING: Do not use this product to spray pesticides, liquid fertilizers, chemicals, or any liquids other than clean water. Spraying these substances could result in serious injury or illness to the operator or bystanders.

OPERATION

Removing and inserting the battery pack

Insert the battery pack. (Fig. E)

Align the battery pack with its compartment of the tool. Push the battery pack into the tank until you hear a click. This means the battery pack has been locked in position, then close the battery pack tank cover.


Removing the battery pack from the tool (Fig. F)

Open the battery pack tank cover. Push the battery pack release button, then pull out the battery pack.

NOTE: Always remove battery pack from your product when you are assembling parts, making adjustments, cleaning, or when not in use. Removing battery pack will prevent accidental starting that could cause serious personal injury.

Control panel


Power indicator button (Fig. G)

Press the power indicator button , this misting fan will turn ON with a beep.

Fan speed adjustment button (Fig. H)

The three fan speeds can be selected by pressing the button. 




Automatic rotary function (Fig. I)

The misting fan is equipped with an automatic rotary function, press the button  it will rotate at a certain angle automatically.

Misting function

Warning: Only use clean, cold water.

Warning: Do not use this misting fan to spray pesticides, liquid fertilizers, chemicals, or any liquids other than clean water. Spraying these substances could result in serious injury or illness to the operator or bystanders.

1. Fill water into the barrel. (Fig. J)
2. Put the mister fan onto the bucket. (Fig. K)
3. Power on the machine by pressing the button .
4. Select the required fan speed by pressing the button .
5. Press the button  to begin misting function (two misting flow rate can be selected). (Fig. L)

Warning: When filling, moving, or emptying bucket, be careful not to spill water and do not overfill bucket. Spilled water can result in a slippery surface, create a slip and fall hazard, and cause property damage.

ADJUSTING THE MISTING ANGLE (Fig. M)

The fan can be angled forward -15° or back 45° to adjust the direction of the mist.

MAINTENANCE AND STORAGE

WARNING: When servicing, use only identical replacement parts. Use of any other parts may create a hazard or cause product damage. To ensure safety and reliability, all repairs should be performed by a qualified service technician.

WARNING: To avoid serious personal injury, always remove the battery pack from the product when cleaning or performing any maintenance.

General maintenance

Avoid using solvents when cleaning plastic parts. Most plastics are susceptible to damage from various types of commercial solvents and may be damaged by their use. Use clean cloths to remove dirt, dust, oil, grease, etc.

WARNING: Do not at any time let brake fluids, petrol, petroleum-based products, penetrating oils, etc., come in contact with plastic parts. Chemicals can damage, weaken or destroy plastic which may result in serious personal injury.

Hose filter cleaning section (Fig. N)

The misting fan is equipped with a water filter to protect the pump. If the filter is not kept clean, the water flow to the appliance will be restricted and the pump may be damaged.

1. Disassemble the filter from the hose. Remove transfer adapter and take out filter.
2. Rinse filter until it is free of debris and blockages.
3. Replace the filter and inlet adapter.

STORAGE

1. Store indoors in a place that is inaccessible to children. Keep away from corrosive agents, such as garden chemicals and de-icing salts.

TROUBLESHOOTING

Fault/malfunction	Cause	Remedial measure
Fan will not start	The battery pack is not attached to the machine.	Attach the battery pack
	No electrical contact between the blower and battery.	Remove battery, check contacts and reinstall the battery pack.
	The battery pack is depleted.	Charge the battery pack
No misting function	Filter is full of debris and blockages	Remove the battery pack, clear the debris.
	pump is damaged	Contact service center for repair.

CE DECLARATION

To the provisions of Council Directives

We
MEROTEC GmbH,
Otto-Brenner-Straße 8,
47877 Willich/ Deutschland

Declare that the product:
Description: 20V Mister fan
Model No. LF C36 / Q0F-SP01-42AC
Function: Outdoor cooling

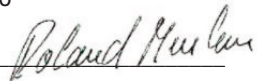
Complies with the essential health and safety requirements of the following directives:

Electromagnetic Compatibility Directive 2014/30/EU
EC Directive 2011/65/EU and its amendment Directive (EU) 2015/863 (RoHS) *)

Standards and technical specification referred to:

EN 60335-1:2012 + AC:2014 + A11:2014 + A13:2017 + A1:2019 + A14:2019 + A2:2019
EN 60335-2-98 :2003+A1:2005+A2:2008+A11:2019
EN 60335-2-80: 2003 +A1:2004+A2:2009
EN 55014-1: 2017
EN 55014-2: 2015
EN 50581: 2012
EN 62233: 2008

Authorized Signatory
Date: 24.03.2020

Signature: 
Place: Willich
Name: Roland Menken
General Manager

MEROTEC GmbH,
Otto-Brenner-Straße 8,
47877 Willich/ Deutschland



*) The object of the declaration described above satisfies the provisions of directive 2011/65/EU of the European Parliament and the Council of 8 June 2011 on limiting the use of certain harmful substances in electrical and electronic appliances.

CE DECLARATION

To the provisions of Council Directives

We
SUMEC UK
Unit A&B Escrick Business Park Escrick, York YO19 6 FD
United Kingdom

Declare that the product:
Description: 20V Mister fan
Model No. LF C36 / Q0F-SP01-42AC
Function: Outdoor cooling


Complies with the essential health and safety requirements of the following directives:

Electromagnetic Compatibility Directive 2014/30/EU
EC Directive 2011/65/EU and its amendment Directive (EU) 2015/863 (RoHS) *)

Standards and technical specification referred to:

EN 60335-1:2012 + AC:2014 + A11:2014 + A13:2017 + A1:2019 + A14:2019 + A2:2019
EN 60335-2-98 :2003+A1:2005+A2:2008+A11:2019
EN 60335-2-80: 2003 +A1:2004+A2:2009
EN 55014-1: 2017
EN 55014-2: 2015
EN 50581: 2012
EN 62233: 2008

Authorized Signatory
Date: 24.03.2020

Signature: 
Place: York
Name: Mariana Hall
General Manager

SUMEC UK
Unit A&B Escrick Business Park Escrick
York YO19 6 FD, United Kingdom



*) The object of the declaration described above satisfies the provisions of directive 2011/65/EU of the European Parliament and the Council of 8 June 2011 on limiting the use of certain harmful substances in electrical and electronic appliances.